

Vernica® Design I Undercounter Lavatory

FEATURES

- 19-3/4" x 13"
- Rimless, rectangle design for undercounter installation
- Space saving design ideal for narrow countertops
- Generous wash basin
- Rear overflow
- Fireclay
- Mounting assembly complete with installation template and mounting screw set for wood countertops
- THU410 is required for marble/granite type counter top installation and must be purchased separately



COLORS/FINISHES

- Standard
#01 Cotton

CODES/STANDARDS

- ASME A112.19.9M
- ASME A112.19.2
- CSA B45.1
- IAPMO/cUPC
- Meets ADA guidelines and ANSI A117.1 requirements when countertop is installed 864mm (34") from finished floor and lavatory is installed 205mm (8-1/8") minimum from front edge.
- Complies with CA Prop 65 warning requirements



PRODUCT SPECIFICATION

The undercounter lavatory shall be made of fired clay. Lavatory shall be 19-3/4" in length and 13" in width. Product shall be with overflow and lavatory shall include mounting assembly. Lavatory shall be TOTO Model LT156#01.

LT156

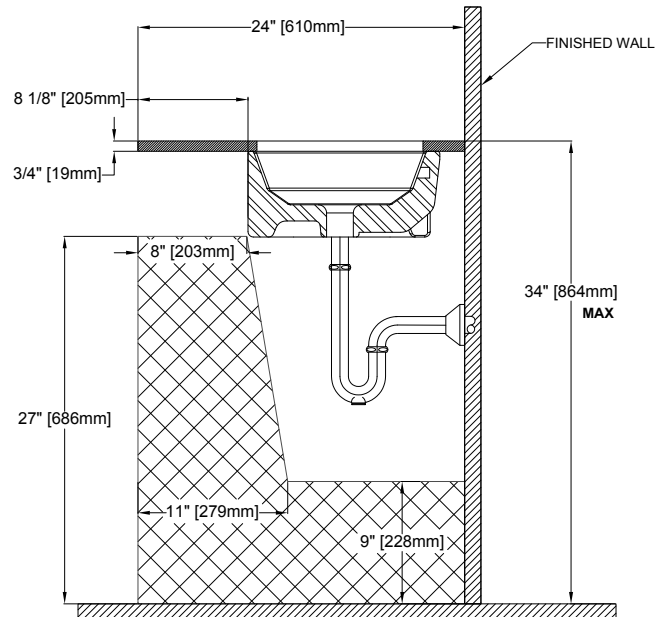
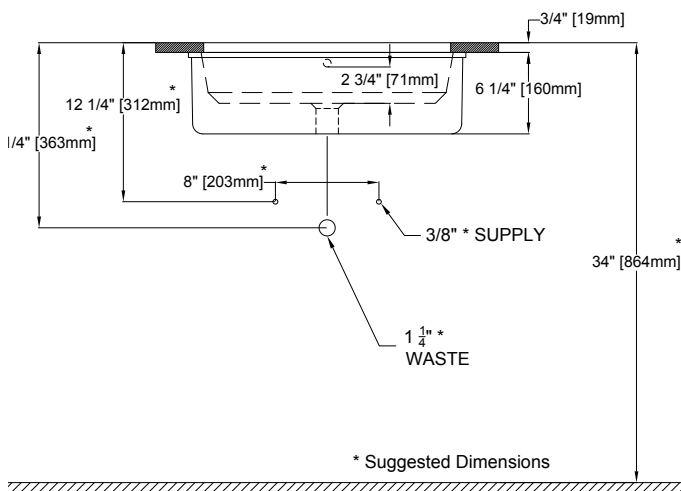
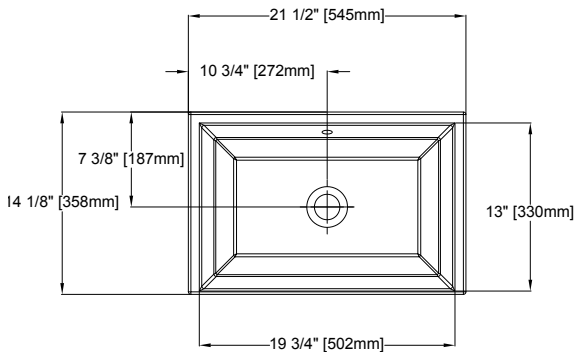
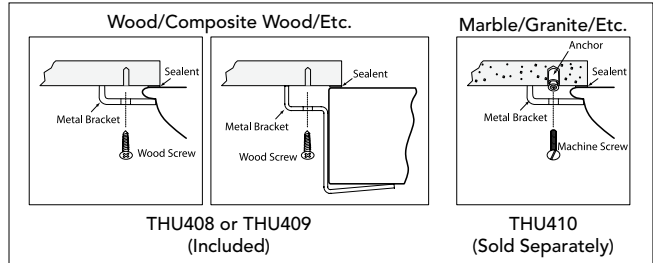
Vernica® Design I Undercounter Lavatory

SPECIFICATIONS

- Waste 1-1/4" O.D.
- Size 21-1/2"W x 14-1/8"D
- Basin 19-3/4"W x 13"D
- Warranty One Year Limited Warranty
- Material Fired clay
- Shipping Weight 28.5 lbs.
- Shipping Dimensions 24"W x 17-1/8"D x 8-5/8"H

INSTALLATION NOTES

Mounting Hardware



TOTO®

These dimensions and specifications are subject to change without notice