

# TOTO®

# CST754EFN

## Eco Whitney® Close Coupled Toilet, 1.28GPF

### FEATURES

- E-Max® flushing system, low consumption (1.28GPF/4.8LPF)
- Universal height
- Traditional, high profile close coupled toilet
- Elongated front bowl and tank set, less seat
- Color matched and chrome trip lever
- 12" Rough-in, less supply
- ADA compliant

### MODELS

- CST754EFN

### COMPONENTS

- C754EF - Elongated Front Bowl
- ST754E - Tank and Cover only
- SS154 Traditional SoftClose® seat (sold separately)
- SS114 SoftClose® seat (sold separately)
- SS304 SoftClose® maple seat (sold separately)

### COLORS/FINISHES

- Standard
  - #01 Cotton
  - #03 Bone
  - #11 Colonial White
  - #12 Sedona Beige
  - #51 Ebony

### PRODUCT SPECIFICATION

The two-piece low consumption E-Max flushing system toilet shall be 1.28GPF/4.8LPF. Toilet shall be universal height and ADA compliant. Toilet shall have high-profile tank, elongated front bowl and color matched/chrome trip lever. Toilet shall be TOTO Model CST754EFN\_\_\_\_\_.



**E+ E-Max**

### CODES/STANDARDS

- Meets and exceeds ASME A112.19.2/CSA B45.1
- Certifications: IAPMO(cUPC), EPA Watersense, State of Massachusetts, City of Los Angeles, and others
- Code compliance: UPC, IPC, NSPC, NPC Canada, and others
- Legislative Compliance: California AB715, California Green Building Code, City of Los Angeles Water Efficiency Ordinance
- ADA compliant (when installed with trip lever located on the approach side)
- Complies with CA Prop 65 warning requirements



# CST754EFN

## Eco Whitney® Close Coupled Toilet, 1.28GPF

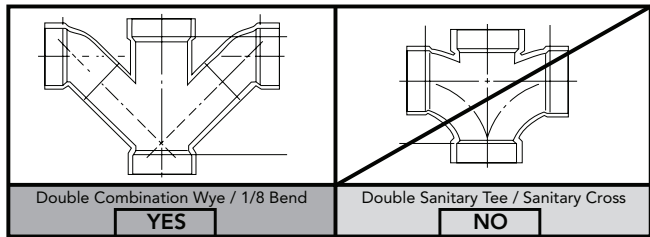
### SPECIFICATIONS

- Water Use 1.28 GPF/4.8LPF
- Flush System E-Max
- Min. Water Pressure 8 psi (static)
- Water Surface 10-3/8" x 8-1/4"
- Trap Diameter 2-1/8"
- Rough-in 12"
- Trap Seal 2-3/8"
- Warranty One Year Limited Warranty
- Material Vitreous china
- Shipping Weight C754EF - 56.5lbs  
ST754E - 39.5lbs
- Shipping Dimensions C754EF  
29-1/8" L x 11-1/8" W1  
x 15" W2 x 17-3/8" H  
  
ST754E  
23-1/4" L x 9-5/8" W  
x 20-7/8" H

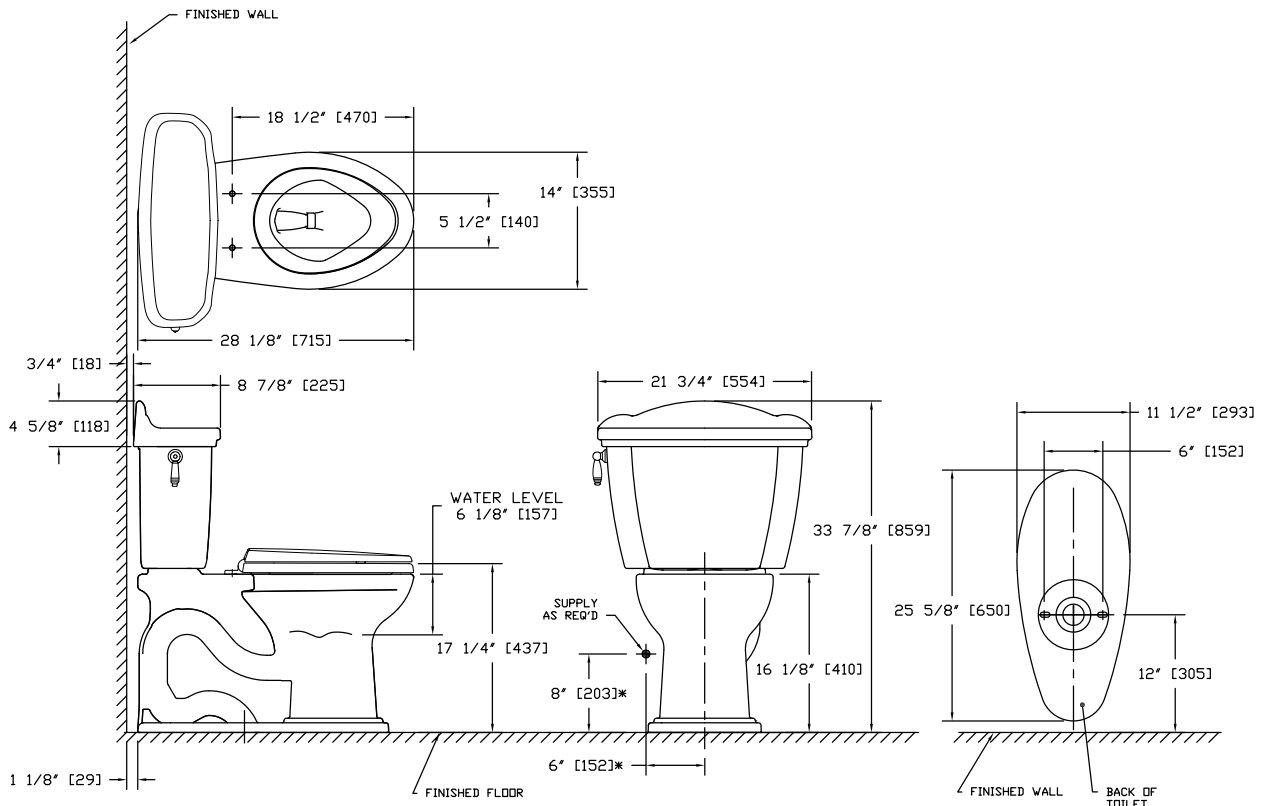
### INSTALLATION NOTES

#### Back-to-Back Toilet Installations:

TOTO recommends the use of a nationally listed, double sanitary tee-wye only, in vertical waste stacks, in accordance with the stipulations noted in the majority of nationally recognized plumbing codes.



To maintain adequate wall gap between the back of the tank and wall, mount the floor flange at a nominal 12" rough-in distance.



\*SUGGESTED DIMENSIONS

**TOTO**

These dimensions and specifications are subject to change without notice