

## Guinevere® One-Piece Toilet - 1.28 GPF

### FEATURES

- TORNADO FLUSH® utilizes 360° cleaning power to reach every part of the bowl - 1.28 GPF (4.8 LPF)
- CEFIONTECT® ceramic glaze minimizes waste from sticking to porous ceramic surfaces
- Decorative one-piece with skirted design
- Elongated front bowl and seat
- Universal Height
- Chrome plated trip lever
- 12" Rough-in

### MODELS

- **MS974224CEFG (#01, #03, #11, #12)**  
With CEFIONTECT ceramic glaze & includes SS224 SoftClose® seat
- **MS974224CEF (#51)**  
Same as MS974224CEFG without CEFIONTECT

### COLORS/FINISHES

- #01 Cotton
- #03 Bone
- #11 Colonial White
- #12 Sedona Beige
- #51 Ebony (Without CEFIONTECT glaze)

### OPTIONAL COMPONENTS

- **TSU03W.10R**  
10" Unifit Rough-In
- **TSU03W.14R**  
14" Unifit Rough-In
- **THU458(#01, #BN, #PN, #MBL)**  
Trip Lever - Cotton, Brushed Nickel, Polished Nickel, Matte Black



 TORNADO FLUSH  CEFIONTECT

 UNIVERSAL HEIGHT

### PRODUCT SPECIFICATION

The one-piece high-efficiency TORNADO FLUSH system toilet shall be 1.28 GPF (4.8 LPF). Toilet shall be 12" Unifit rough-in. Toilet shall have optional CEFIONTECT ceramic glaze and be at Universal Height. Toilet shall have elongated front bowl with SoftClose seat and Polished Chrome trip lever. Toilet shall be TOTO Model MS974224CEF(G)\_\_\_\_\_.

### CODES/STANDARDS

- Meets and exceeds ASME A112.19.2/CSA B45.1
- Certifications: IAPMO (cUPC®), EPA WaterSense®, State of Massachusetts, City of Los Angeles, and others
- Code compliance: UPC, IPC, NSPC, NPC Canada, and others
- Legislative Compliance: California AB715, California Green Building Code, City of Los Angeles Water Efficiency Ordinance, and others
- ADA compliant for residential use when installed with trip lever located on the approach side
- Complies with CA Prop 65 warning requirements



# MS974224CEF(G)

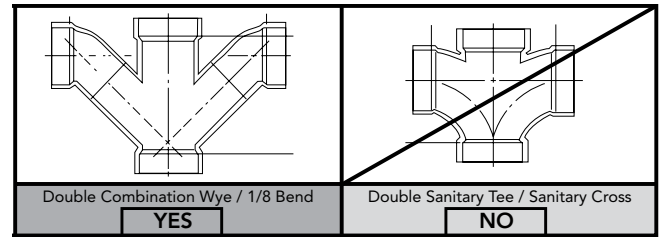
## Guinevere® One-Piece Toilet, 1.28 GPF

### SPECIFICATIONS

<b>Water Use</b>	1.28 GPF (4.8 LPF)
<b>Flush System</b>	TORNADO FLUSH®
<b>Water Surface</b>	7-7/8" x 9-7/8"
<b>Trap Diameter</b>	2-1/8"
<b>Rough-in</b>	12" (10" and 14" options available)
<b>Trap Seal</b>	2-3/16"
<b>Warranty</b>	One Year Limited Warranty
<b>Material</b>	Vitreous China
<b>Shipping Weight</b>	MS974224CEF(G): 120 lbs
<b>Shipping Dimensions</b>	MS974224CEF(G) 30" L x 19" W x 29-5/8" H <sup>1</sup> x 18-1/2" H <sup>2</sup>

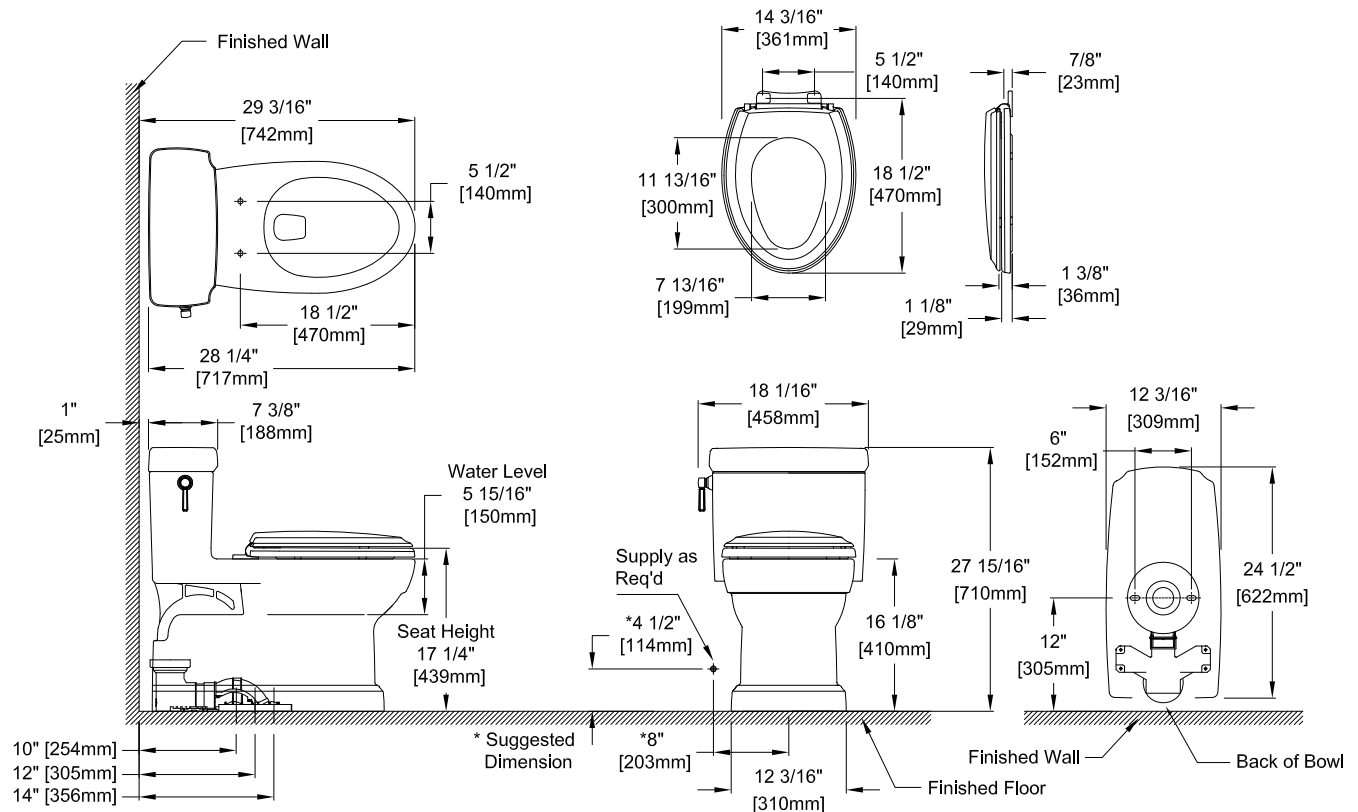
### INSTALLATION NOTES

Back-to-Back Toilet Installations:  
TOTO recommends the use of a nationally listed, double sanitary tee-wye only, in vertical waste stacks, in accordance with the stipulations noted in the majority of nationally recognized plumbing codes.



To maintain adequate wall gap between the back of the tank and wall, mount the floor flange at a nominal 12" rough-in distance.

### DIMENSIONS



These dimensions and specifications are subject to change without notice