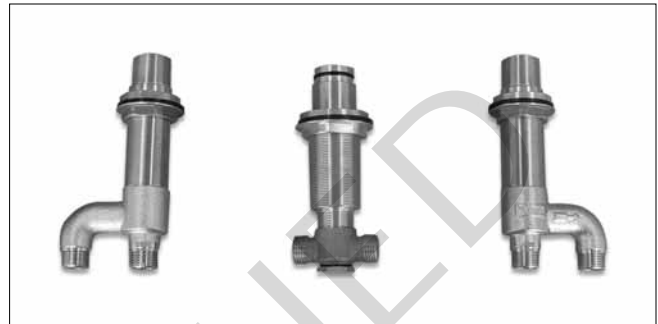


Guinevere® 3 Hole Deck Bath Valve with Cross Handles

FEATURES

- Corrosion resistant
- Ceramic disk valve cartridge
- Accommodates 8" -16" spread
- For use with the TB970DD 3 hole deck bath trim



CODES/STANDARDS

- Meets or exceeds ASME A112.18.1/CSA B125.1
- Certifications: IAPMO(cUPC), State of Massachusetts, City of Los Angeles, and others
- Code Compliance: UPC, IPC, NSPC, NPC Canada, and others



PRODUCT SPECIFICATION

The 3 hole deck back valve with cross handles shall be corrosion resistant. Deck bath valve shall have ceramic disk valve cartridge. Product shall be for 8 to 16 inch installations. Deck bath valve shall be TOTO Model TB7T.

TB7T

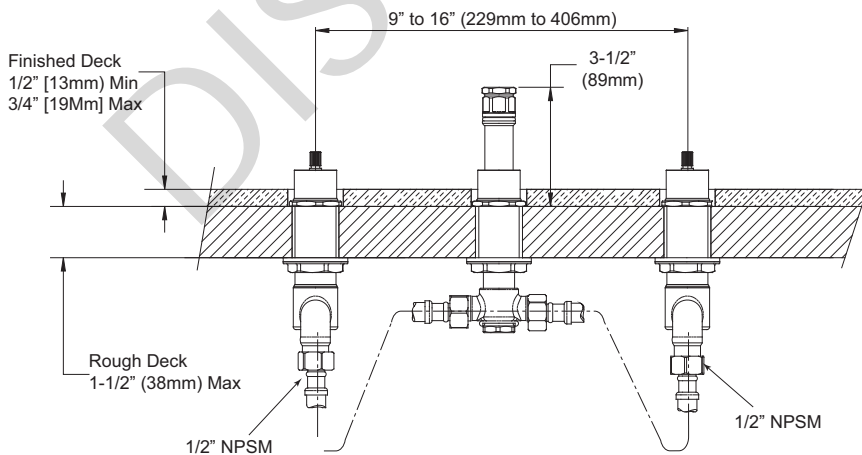
Guinevere® 3 Hole Deck Bath Valve with Cross Handles

SPECIFICATIONS

- Warranty Lifetime Limited Warranty (Residential Use)
One Year (Commercial Use)
- Material Brass
- Shipping Weight 11.2 lbs.
- Shipping Dimensions 20-1/2" L x 9-3/4" W x 3-1/2" H

INSTALLATION NOTES

FAUCET TRIM REQUIRED:
Guinevere® 3 hole deck bath trim, model TB970DD#CP sold separately.



TOTO®

These dimensions and specifications are subject to change without notice