

## Undercounter Lavatory

### FEATURES

- 20-1/2" x 12-3/8"
- Rimless, rectangle design for undercounter installation
- Rear overflow
- Optional CEFIONTECT® ceramic glaze - prevents debris and mold from sticking to ceramic surfaces, leading to fewer chemicals and less water in cleaning
- Vitreous china
- Mounting assembly complete with installation template and mounting screw set for wood countertops
- THU410 is required for marble/granite type counter top installation and must be purchased separately



### MODELS

- LT191G  
With CEFIONTECT glazing (#01, #03, #11, #12)
- LT191  
Without CEFIONTECT glazing (#51 only)

### COLORS/FINISHES

- #01 Cotton
- #03 Bone
- #11 Colonial White
- #12 Sedona Beige
- #51 Ebony (not available with CEFIONTECT)

### CODES/STANDARDS

- Meets and exceeds ASME A112.19.2/CSA B45.1
- Certifications: IAPMO(cUPC), State of Massachusetts, City of Los Angeles, and others
- Meets ADA guidelines and ANSI A117.1 requirements when countertop is installed 864mm (34") from finished floor and lavatory is installed 205mm (8-1/8") minimum from front edge
- Complies with CA Prop 65 warning requirements



### PRODUCT SPECIFICATION

The undercounter lavatory shall be made of vitreous china. Lavatory shall be 19-5/8" in length and 11-5/8" in depth. Product shall be with overflow and lavatory shall include mounting assembly. Lavatory model LT191G shall have CEFIONTECT ceramic glaze. Lavatory shall be TOTO Model LT191\_\_\_\_\_.

# LT191(G)

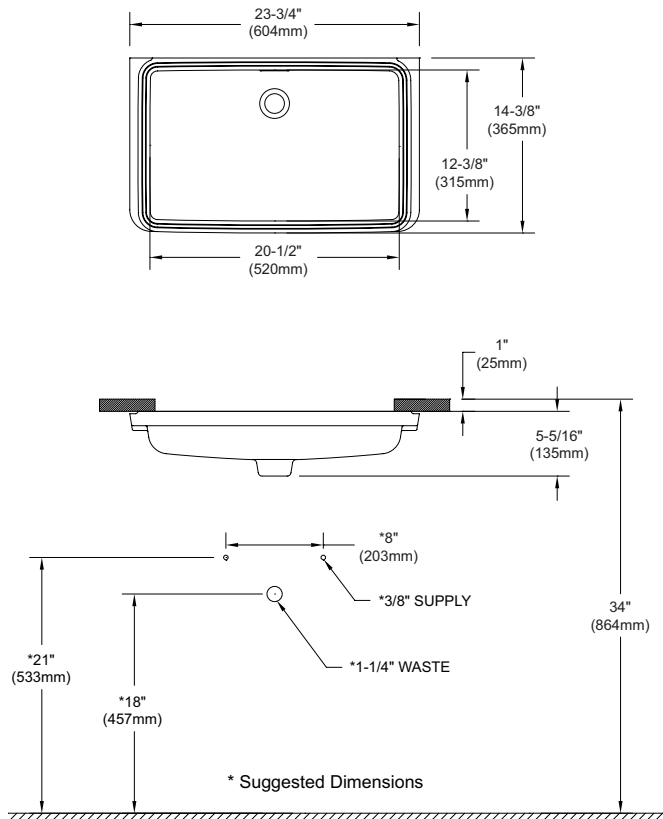
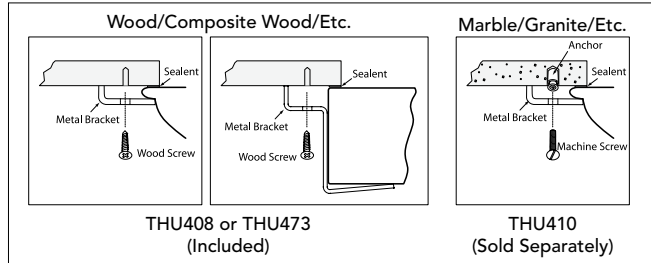
## Undercounter Lavatory

### SPECIFICATIONS

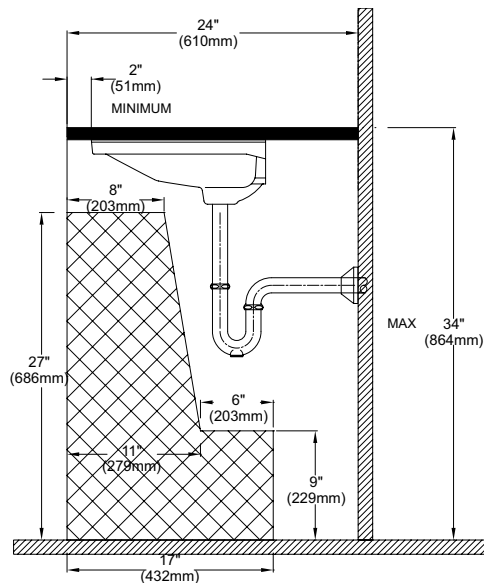
- Waste 1-1/4" O.D.
- Size 23-3/4" W x 14-3/8" D
- Basin 20-1/2" W x 12-3/8" D
- Warranty One Year Limited Warranty
- Material Vitreous china
- Shipping Weight 24.8 lbs.
- Shipping Dimensions 24-5/8" W x 15-3/8" D x 7-1/2" H

### INSTALLATION NOTES

#### Mounting Hardware



#### ADA Compliance Check



**TOTO®**

These dimensions and specifications are subject to change without notice