

TOTO®

TL970DDLQ

Guinevere® Widespread Lavatory High-Efficiency Faucet, 1.5 gpm

FEATURES

- WaterSense certified low-flow 1.5 gpm faucet
- Cross handles
- Solid brass construction
- Ceramic disk valve cartridge
- Accommodates 8" -16" spread
- Metal pop-up drain assembly included



COLORS/FINISHES

- #CP Polished Chrome
- #BN Brushed Nickel
- #PN Polished Nickel
- #RB Oil Rubbed Bronze

CODES/STANDARDS

- Meets or exceeds ASME A112.18.1/CSA B125.1, NSF 61-9
- Certifications: IAPMO (cUPC), EPA WaterSense, State of Massachusetts, and others
- Code Compliance: UPC, IPC, NSPC, NPC Canada, and others
- Legislative compliance: California AB1953, Vermont S.152 & Maryland HB. 372, California Green Building Code, City of Los Angeles Water Efficiency Ordinance



PRODUCT SPECIFICATION

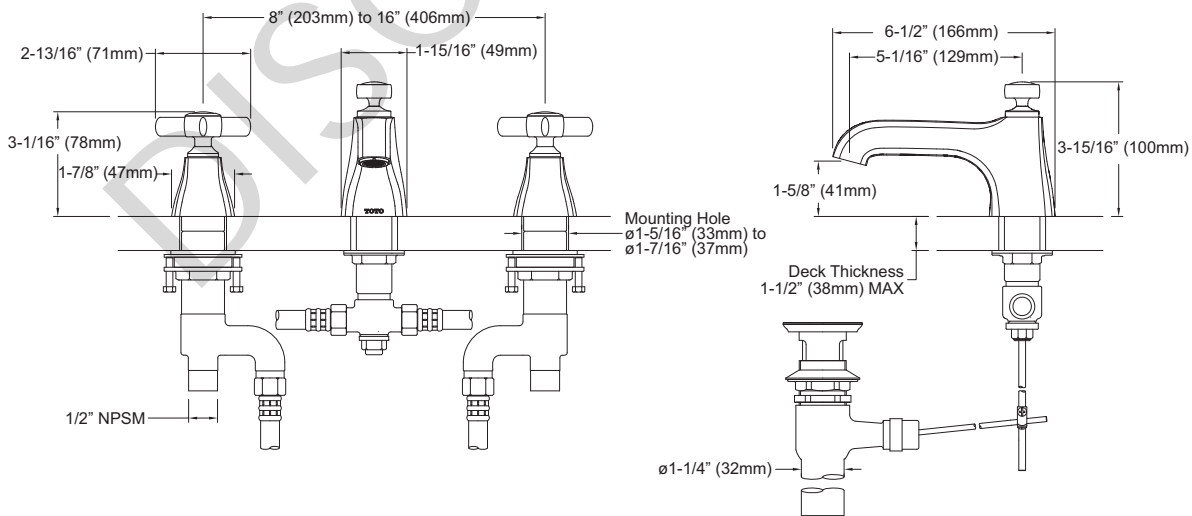
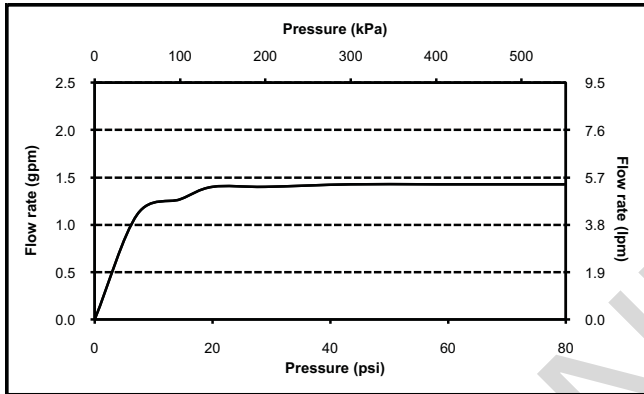
The widespread lavatory faucet shall have a maximum flow rate of 1.5 gpm (5.7 lpm). Product shall have cross handles. Product shall have a solid brass construction. Product shall have a ceramic disk valve cartridge. Product shall accommodate 8" -16" spread. Product shall include metal pop-up drain assembly. Product shall be compliant with California AB1953, Vermont S.152 & Maryland HB. 372. Product shall be TOTO Model TL970DDLQ#_____.

TL970DDLQ

Guinevere® Widespread Lavatory High-Efficiency Faucet 1.5 gpm

SPECIFICATIONS

- Warranty: Lifetime Limited Warranty (Residential Use)
One Year (Oil Rubbed Bronze)
One Year (Commercial Use)
- Material: Brass
- Shipping Weight: 8.5 lbs.
- Shipping Dimensions: 20-1/2" L x 9-3/4" W x 3-1/2" H
- Maximum Flow Rate: 1.5 gpm (5.7 lpm)



TOTO®

These dimensions and specifications are subject to change without notice