

TOTO®

Perfection by Design

Battery Powered (6V, DC) Sensor Toilet Flush Valve, Exposed - 3.5 GPF

To be specified:

Sensor Toilet Flush Valve

- Valve Only, Nickel Chrome Plated Finish
 - Left and Right Rough - TEW1DNC
- Complete Set, Nickel Chrome Plated Finish
 - Left and Right Rough - TEW1DNC-32 (1 1/2" V.B.)

Complete Set Supplied With:

- Vacuum Breaker & Angle Stop Set - VB9CP-32
 - 1" Angle Stop - 10077t3
 - 1 1/2" Vacuum Breaker - 10075t1
 - Spud Nut & Escutcheon - 71051Nt6
 - Sweat Solder Kit - TH559EDVJS3

Meets the American Disabilities Act Guidelines and ANSI A117.1 requirements for people with disabilities.



TEW1DNC-32

AUTOMATIC FLUSHING SYSTEM

TOTO, the world leader in advanced plumbing systems, provides sensor operated flush valves for facilities demanding the finest sanitation equipment for busy restrooms. "Hands-free" technology effectively reduces unsanitary conditions from unflushed fixtures.

SUPERIOR PISTON VALVE

TOTO's piston valve technology is a marked improvement over the traditional "rubber diaphragm" valve. Not only does the longer piston travel and self-cleaning screen reduce common problems like sticking and flooding, but the piston itself will not warp or mis-seal, significantly reducing repair and maintenance cost.

NEUTRAL ROUGH-IN

TOTO's sensor flush valve has neutral rough-in, it can be used as right or left rough-in with no modifications.

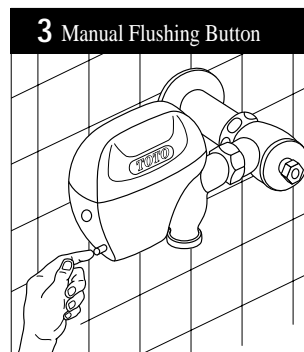
OPERATING PROCEDURE A sanitary environment without using the hands.



The infrared sensor detects a user sitting on the toilet seat.



After using over 5 seconds, when a user leaves the fixture, the sensor automatically sends a signal to the operating unit to activate the flush valve.





Valve is equipped with a manual flushing button.



Reliance Commercial Line

Battery Powered(6V, DC) Sensor Toilet Flush Valve, Exposed - 3.5 GPF

SPECIFICATIONS

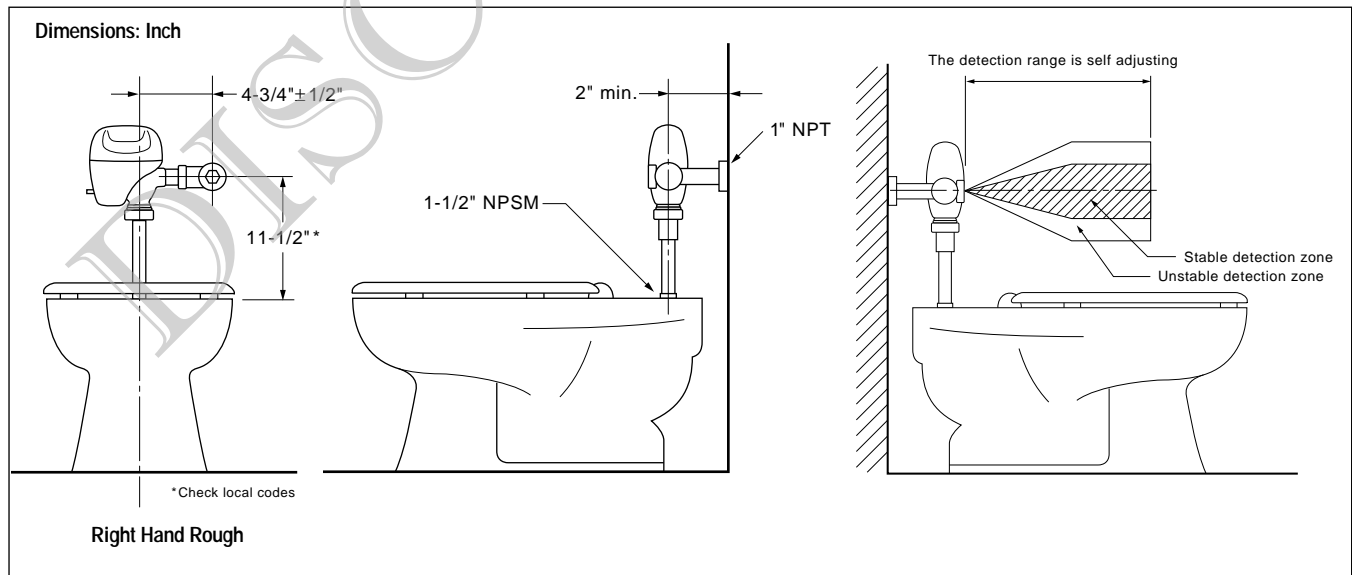
Product	TET1DNC - Valve Only, Left and Right Rough, Chrome Plated Finish TET1DNC-32 - Complete Set (1 1/2"V.B.), Left and Right Rough, Chrome Plated Finish
Power supply	Four AA alkaline batteries, included. 2 year life, based on 4000 cycles per month
Detection range	Self-adjusting to environment
Detection time	Factory setting at five (5) seconds minimum
Water supply pipe	1" NPT
Discharge quantity	Factory setting at 3.5 Gpf
Toilet type	Flushometer type bowl
Trap seal protection	Automatic flushing once every twenty four (24) hours, if not used
Ambient temperature	32°-104°F (0°-40°C)
Supply water pressure	Minimum required water pressure: 15psi(flowing) Maximum water pressure: 125psi*
Warranty	Limited one (1) year warranty on all component parts. Details available upon request.
Listings	 City of Los Angeles  A.S.S.E. 1037

*These dimensions and specifications are subject to change without notice.
Water pressures over 80 psi are not recommended for most plumbing fixtures.

SUGGESTED ENGINEERING SPECIFICATION:

TOTO Model No. _____ year life at 4,000 cycles/month. 3.6 gallon flush with manual
Automatic infrared sensor activated bronze piston override button. Piston valve with stainless self-cleaning debris
toilet flush valve. Heavy duty zinc casted covers. Vandal screen. Automatic flush every twenty four hours if not used.
resistant mounting screws. Four AA alkaline batteries with a 2 Angle stop and vacuum breaker included.

DIAGRAM:



TOTO®
Perfection by Design

TOTO U.S.A., INC. • 1155 Southern Road, Morrow, GA 30260
Tel. (770) 282-8686 • Fax. (770) 282-8701 • www.totousa.com

TOTO KIKI U.S.A. is a wholly owned subsidiary of TOTO LTD. Printed in U.S.A. © TOTO LTD. 3/99

Printed on recycled paper 