

Waza® Sultana™ Undercounter Lavatory

FEATURES

- 17" x 15"
- Rectangle design for undercounter installation
- Pattern based on "New Moorish" designs popular for traditional and transitional settings
- Front or rear overflow
- Vitreous china
- Mounting assembly complete with installation template and mounting screw set



MODELS

- LT624#01-NB

COLORS/FINISHES

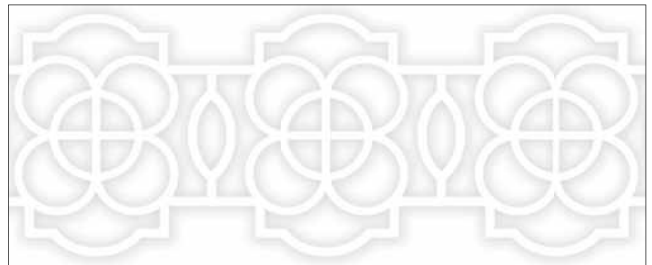
- #01-NB Cotton-Sultana

CODES/STANDARDS

- Meets and exceeds ASME A112.19.2/CSA B45.1
- Certifications: IAPMO(cUPC), State of Massachusetts, City of Los Angeles, and others
- Meets ADA guidelines and ANSI A117.1 requirements when countertop is installed 864mm (34") from finished floor and lavatory is installed 114mm (4-1/2") minimum from front edge
- ADA compliant with overflow mounted to rear
- Complies with CA Prop 65 warning requirements



PATTERN DESIGN



PRODUCT SPECIFICATION

The undercounter lavatory shall be made of vitreous china. Lavatory shall be 17" in length and 15" in width. Product shall be with overflow and lavatory shall include mounting assembly. Lavatory shall be TOTO Model LT624#01-NB.

LT624#01-NB

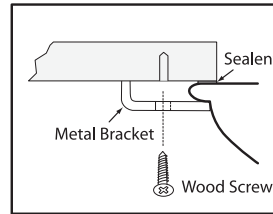
Waza® Sultana™ Undercounter Lavatory

SPECIFICATIONS

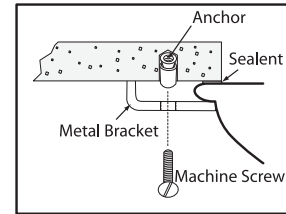
- Waste 1-1/4" O.D.
- Size 19"W x 17"D
- Basin 17"W x 15"D
- Warranty One Year Limited Warranty
- Material Vitreous china
- Shipping Weight 24.5 lbs.
- Shipping Dimensions 22"W x 18"D x 9-1/4"H

INSTALLATION NOTES

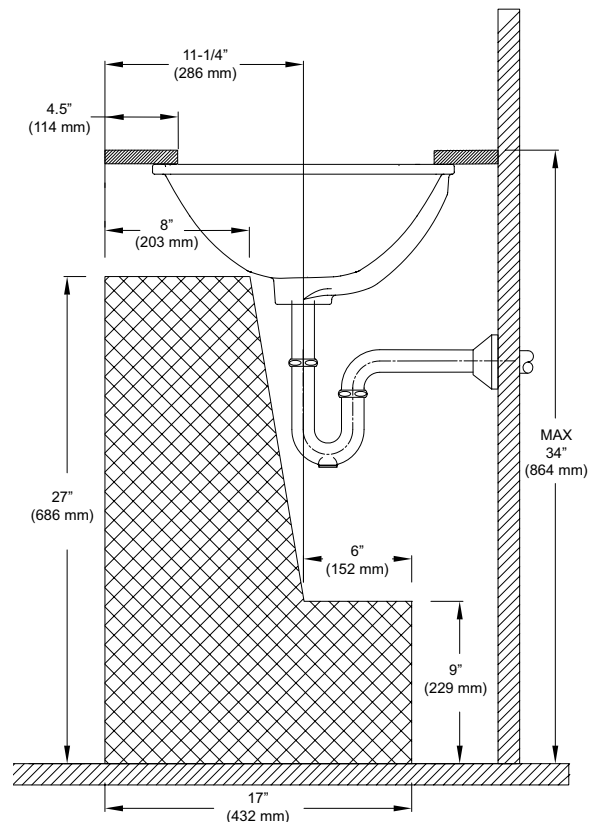
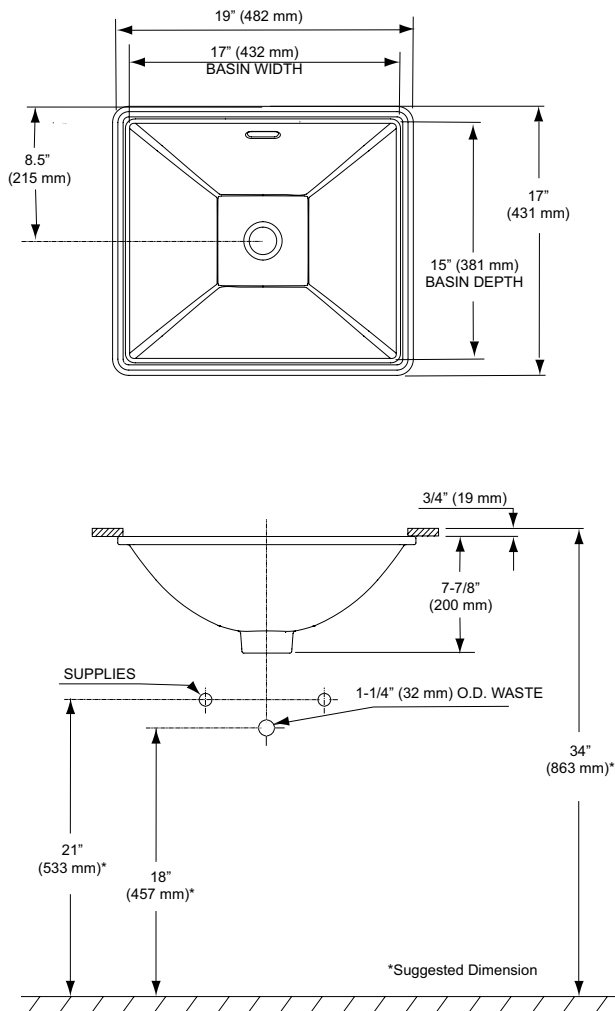
Wood / Composite Wood / Etc.



Marble / Granite / Etc.



NOTE: LT546 / LT548 similar



ADA Requirements

TOTO®

These dimensions and specifications are subject to change without notice