

Lloyd® Sensor Urinal Flush Valve, Exposed - 1.0 gpf

FEATURES

- Electronic DC powered flush valve with integral 5/8" top spud inlet and 2" IPS inlet
- 1.0 gpf or less
- 24 hour automatic flush for trap seal protection
- Used only with Lloyd urinal UE930

MODEL

- TEY1DNC-42 (5/8" Vacuum breaker)
Central Rough, Polished Chrome finish
Complete set supplied with:
 - 5/8" Vacuum breaker
 - Spud Nut & Escutcheon



COLORS/FINISHES

- #CP Polished Chrome

CODES/STANDARDS

- Meets or exceeds ASSE 1037, CSA B125.3
- Certifications: IAPMO(cUPC), ASSE, State of Massachusetts, City of Los Angeles, and others
- Code Compliance: UPC, IPC, NSPC, NPC Canada, and others
- ADA compliant



PRODUCT SPECIFICATION

TOTO® Model No. TEY1DNC-42 Automatic infrared sensor activated urinal flush valve. Heavy-duty zinc die cast cover with polished chrome finish. Vandal resistant hex head screws. Low water consumption of 1.0 gallon per flush. Solenoid with self-cleaning mechanism. Automatic flush every twenty four hours if not used. Vacuum breaker included with accessories.

TEY1DNC-42

Lloyd® Sensor Urinal Flush Valve, Exposed - 1.0 gpf

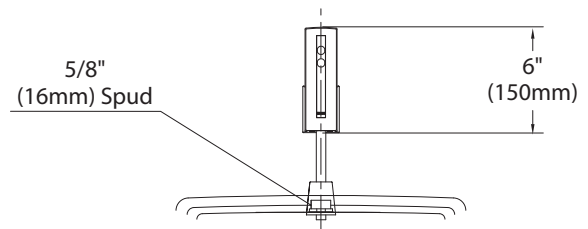
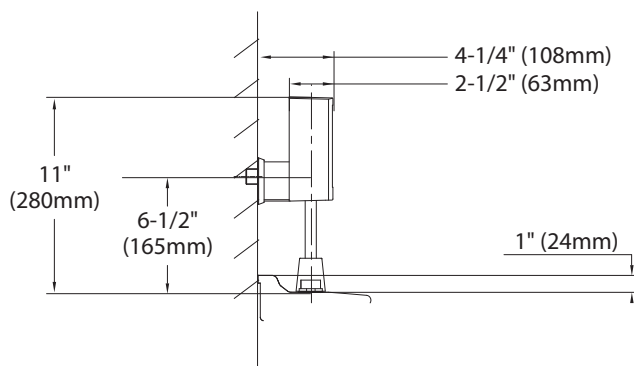
SPECIFICATIONS

- Warranty Three Year Warranty
- Material Bronze casting with polished chrome finish
- Power Supply Two AA alkaline batteries
- Water Supply 1/2" NPT
- Detection range Self-adjusting to environment
- Discharge quantity Fuzzy logic adjusted flush volume at 28 psi (0.5-1.0 gpf)
- Urinal type Low consumption wash down and jetted flush design urinal
- Operating temperature 33°-104°F (1°-40°C)
- Supply water pressure 10 psi - 100 psi*
- Trap seal protection Automatically flushes once after twenty-four (24) hours of non-use

These specifications are subject to change without notice.
*Water pressures over 80 psi are not recommended for most plumbing fixtures.
Check your local plumbing code for details.

NOTES

TOTO's 1.0 gpf EcoPower flush valves use "Fuzzy Logic" technology to offer further water conservation. The flush valve's microprocessor measures the duration and frequency of use, then calculates the appropriate average volume per flush. In facilities with frequent use, the flush valve issues less water per flush with a full flush occurring every 5 uses. In facilities with infrequent use, the valve delivers the full flush every time.



TOTO®

These dimensions and specifications are subject to change without notice