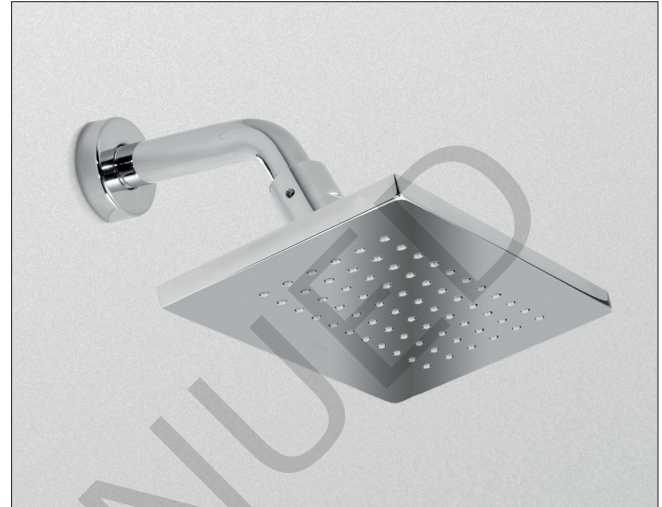


FEATURES

- Maximum flow rate of 2.5 gpm (9.5 lpm)
- 7-7/16" x 4-11/16" spray face
- Single spray showerhead
- Solid brass construction
- Rubber nozzles to prevent limescale build up
- Includes shower arm and escutcheon
- 1/2" NPT connection

COLORS/FINISHES

- #CP Polished Chrome
- #BN Brushed Nickel
- #PN Polished Nickel



CODES/STANDARDS

- Meets or exceeds ASME A112.18.1/CSA B125.1
- Certifications: IAPMO(cUPC), State of Massachusetts and others
- Code Compliance: UPC, IPC, NSPC, NPC Canada, and others
- Complies with CA Prop 65 warning requirements



PRODUCT SPECIFICATION

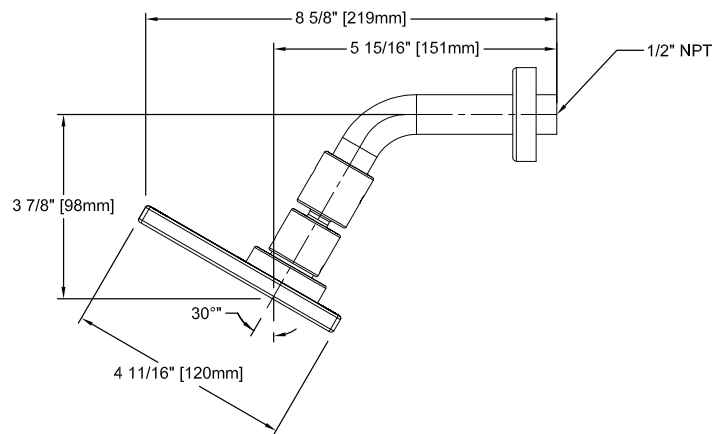
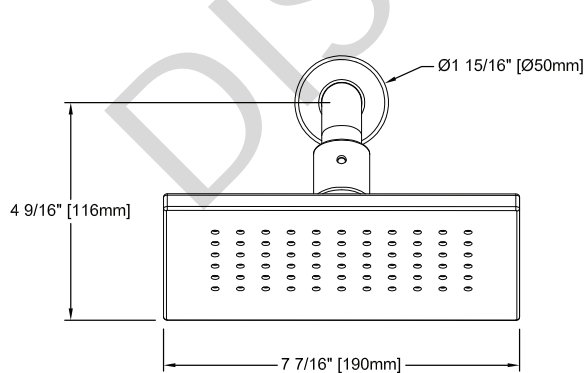
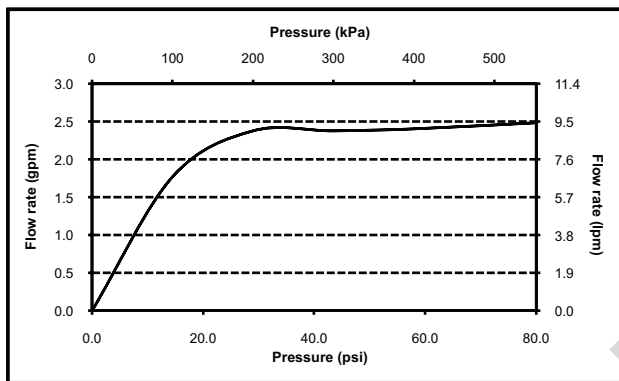
The showerhead shall have a maximum flow rate of 2.5 gpm (9.5 lpm). Product shall have a 7-7/16" x 4-11/16" spray face. Product shall have a single spray. Product shall have solid brass construction. Product shall have rubber nozzles to prevent limescale build up. Product shall include shower arm and escutcheon. Product shall be TOTO Model TS624A#___.

TS624A

Legato® Showerhead

SPECIFICATIONS

- Warranty Lifetime Limited Warranty (Residential Use)
One Year (Commercial Use)
- Material Brass
- Shipping Weight 5.4 lbs.
- Shipping Dimensions 15-3/4" L x 8-1/2" W x 5-1/2" H
- Maximum Flow Rate 2.5 gpm (9.5 lpm)



TOTO®

These dimensions and specifications are subject to change without notice