

Upton™ Thermostatic Mixing Valve Trim

FEATURES

- Temperature control trim with anti-scald safety stop
- For use with Thermostatic Mixing Valve (TSST)

COLORS/FINISHES

- #CP Polished Chrome
- #BN Brushed Nickel
- #PN Polished Nickel

CODES/STANDARDS

- Meets or exceeds ASME A112.18.1/CSA B125.1
- Certifications: IAPMO(cUPC), State of Massachusetts and others
- Code Compliance: UPC, IPC, NSPC, NPC Canada, and others
- Complies with CA Prop 65 warning requirements



PRODUCT SPECIFICATION

Thermostatic mixing valve trim shall have temperature control trim with anti-scald safety stop. Product shall be TOTO Model TS630T#___ and required thermostatic mixing valve shall be TSST sold separately.



TS630T

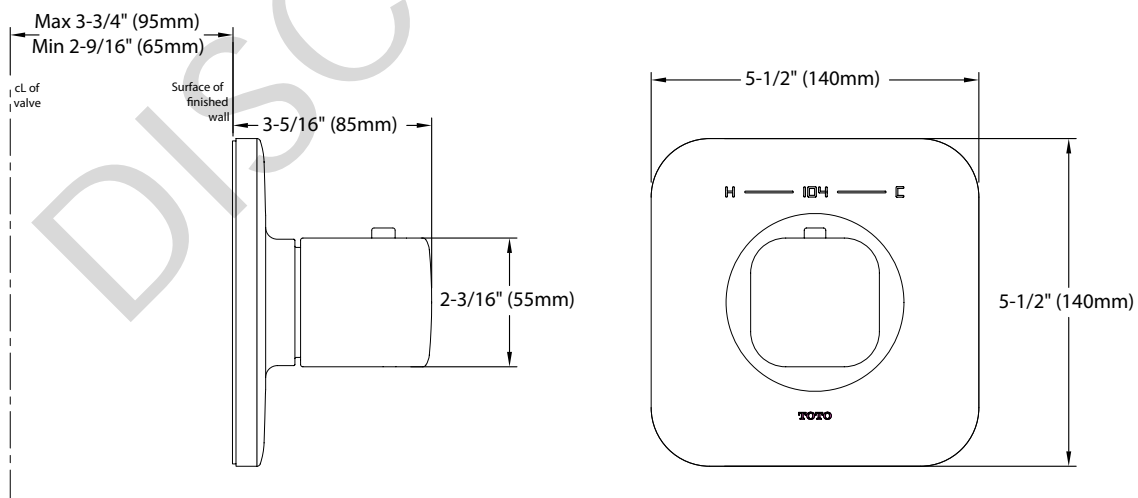
Upton™ Thermostatic Mixing Valve Trim

SPECIFICATIONS

- Warranty Lifetime Limited Warranty (Residential Use)
One Year (Commercial Use)
- Material Brass
- Shipping Weight 3.2 lbs.
- Shipping Dimensions 11" L x 12-3/8" W x 3-5/8" H

INSTALLATION NOTES

VALVE REQUIRED:
1/2" Thermostatic mixing valve, model TSST sold separately.



TOTO®

These dimensions and specifications are subject to change without notice