

# TOTO®

# TS200AL51 & TS200AL61

## Transitional Collection Series A Single-Spray Showerhead

### FEATURES

- Low-flow 2.0 gpm
- Single-spray showerhead
- Easy to clean rubber nozzles reduce scale buildup
- G 1/2" connection

### MODELS

- TS200AL51  
4-1/2" showerhead  
4" diameter spray face
- TS200AL61  
5-1/2" showerhead  
5" diameter spray face

### COLORS/FINISHES

- #CP Polished Chrome
- #BN Brushed Nickel
- #PN Polished Nickel

### CODES/STANDARDS

- Meets or exceeds ASME A112.18.1/CSA B125.1
- Certifications: IAPMO(cUPC), State of Massachusetts and others
- Code Compliance: UPC, IPC, NSPC, NPC Canada, and others
- Complies with CA Prop 65 warning requirements



### PRODUCT SPECIFICATION

The single-spray showerhead shall have a maximum flow rate of 2.0 gpm (7.6 lpm). TS200AL51 shall have a 4-1/2" showerhead and a 4" diameter spray face. TS200AL61 shall have a 5-1/2" showerhead and a 5" diameter spray face. Product shall have a single spray. Product shall have rubber nozzles to prevent limescale build up. Product shall be TOTO Model TS200AL\_\_\_\_ #\_\_\_\_.



TS200AL51: Transitional Collection Series A Single-Spray Showerhead 4-1/2"



TS200AL61: Transitional Collection Series A Single-Spray Showerhead 5-1/2"

**Please note the following component is sold separately:**



TS200N6: Shower Arm 6"

# TS200AL51 & TS200AL61

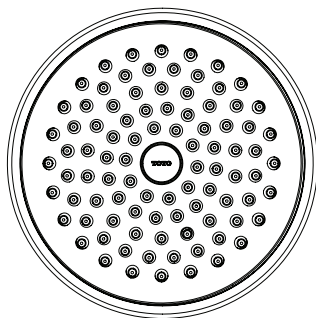
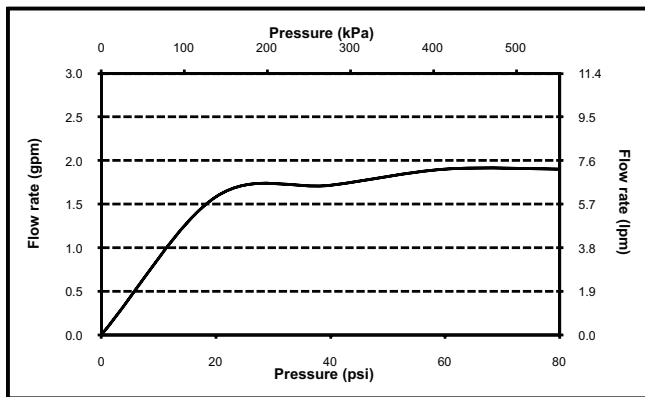
## Transitional Collection Series A Single-Spray Showerhead

### SPECIFICATIONS

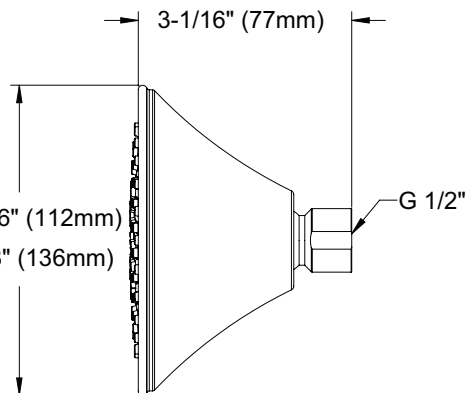
- Warranty Lifetime Limited Warranty (Residential Use)  
One Year (Commercial Use)
- Material Brass / Plastics
- Shipping Weight TS200AL51: 0.8 lbs.  
TS200AL61: 1.0 lbs.
- Shipping Dimensions TS200AL51 & TS200AL61:  
3-1/2" L x 5-3/4" W x 6-3/4" H
- Maximum Flow Rate 2.0 gpm (7.6 lpm)

### INSTALLATION NOTES

OPTIONAL SHOWERHEAD COMPONENT:  
TS200N6: Shower Arm 6" sold separately.



TS200AL51: 4-7/16" (112mm)  
TS200AL61: 5-3/8" (136mm)



**TOTO**

*These dimensions and specifications are subject to change without notice*