

FEATURES

- Gentle Aerated, Warm Water, Dual Action Spray with oscillating and pulsating feature
- Adjustable water temperature and volume
- 2 user setting
- Docking Station Easy to Install and Clean
- Heated Seat with Temperature Control
- Convenient slim wireless remote, with illuminated touch pad.

MODELS

- SW2024 - Elongated front



COLORS/FINISHES

- Standard
- #01 Cotton

PRODUCT SPECIFICATION

Seat shall be model # SW2024_____

Seat shall have gentle aerated, warm water, dual action spray with cycling movement and massage feature. Seat shall have adjustable water temperature and volume. Seat shall be solid plastic with closed front seat and cover. Seat shall include power cord, and water supply hoses.

CODES/STANDARDS

- Meets and exceeds ASME A112.4.2, ASME A112.18.1/CSA B125.1, UL 1431, CSA C22.2 #68
- Certifications: IAPMO(cUPC), State of Massachusetts, City of Los Angeles and others
- Code Compliance: UPC, IPC, NSPC, NPC Canada, and others
- Complies with CA Prop 65 warning requirements



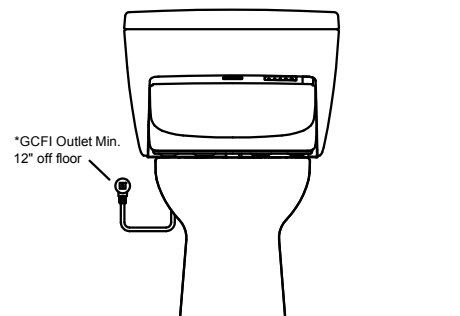
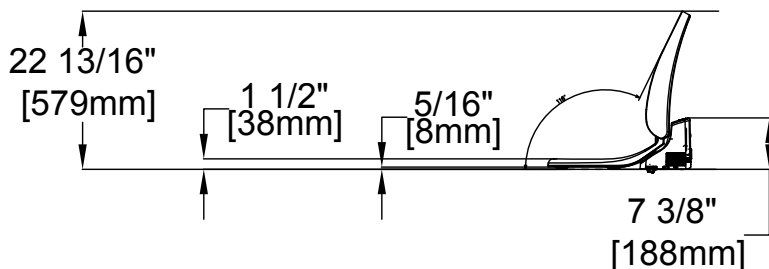
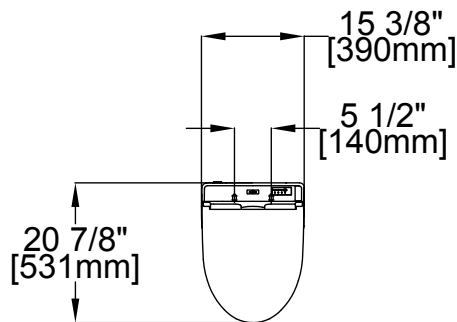
SPECIFICATIONS

- **Power Rating:** AC 120V-60Hz, 292W
- **Power Cord:** Maximum length: 3.94 ft/120 cm, 3 prong grounded plug
- **Water Feature:** Adjustable Water Flow Rate:
 - Front washing - 9.8-14.5 oz/min
 - Rear washing - 9.1 -14.5 oz/min
 - Soft Rear - from 9.1 -14.5 oz/min
- **Washing Spray Temp:** Minimum: 86°F/30°C
Maximum: 104°F/40°C
- **Safety Device:** Thermal fuse
- **Seat Warming Feature:** Surface Temperature:
 - Minimum: 82°F/28°C
 - Maximum: 97°F/36°C
- **Safety Device:** Thermal fuse
- **Water Supply Pressure:** Minimum: 7.25 psi
Maximum: 108.75 psi
- **Ambient Temperature:** Range: 32°F/0°C to 104°F/40°C
- **Warranty:** One Year Limited Warranty
- **Shipping dimensions:** A200 Elongated – 23 ½" x 19" x 9"
- **Shipping weight:** A200 Elongated – 15lbs

Note: These numbers may change once the first samples arrive

INSTALLATION NOTES

- For use with potable water only. Do not use with recycled water.
- Washlet A200 may not fit certain toilet bowl designs.
- If possible, with your order, please include your model number (from the underside of the tank lid).
- It is highly recommended to use a surge protector to prevent damage in the event of a power surge.



*The 3-prong cord on the Washlet is on the right side and is 4' long. The GFCI outlet needs to have 120V, 10amps.