

Nexus® Widespread Lavatory Faucet

FEATURES

- WaterSense certified low-flow 1.2 gpm (4.5 lpm) faucet
- Lever handles
- Solid brass construction
- Ceramic disk valve cartridge
- Accommodates 8"-16" spread
- Metal pop-up drain assembly included



COLORS/FINISHES

- #CP Polished Chromel

CODES/STANDARDS

- Complies with federal and state lead-free legislation
- Meets or exceeds ASME A112.18.1/CSA B125.1, NSF 61-9, NSF 372
- Certifications: IAPMO(cUPC), EPA WaterSense, California Energy Commission (CEC), State of Massachusetts and others
- Code Compliance: UPC, IPC, NSPC, NPC Canada, California Green Building Code, City of Los Angeles Water Efficiency Ordinance, City of New York and others
- ADA compliant
- Complies with CA Prop 65 warning requirements



PRODUCT SPECIFICATION

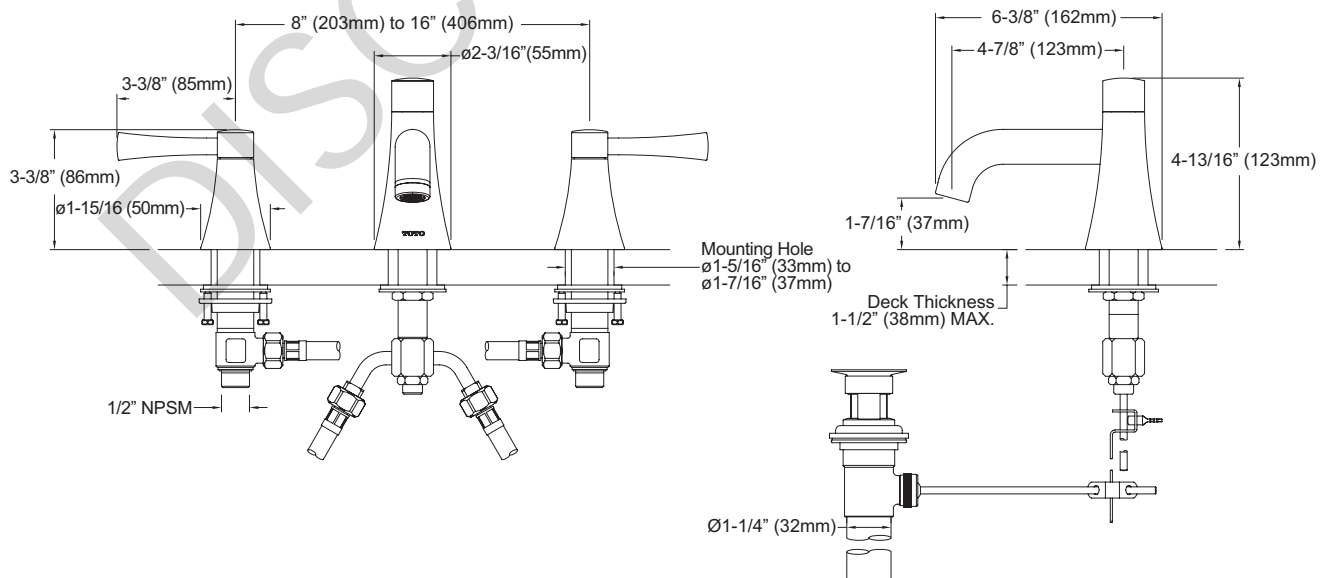
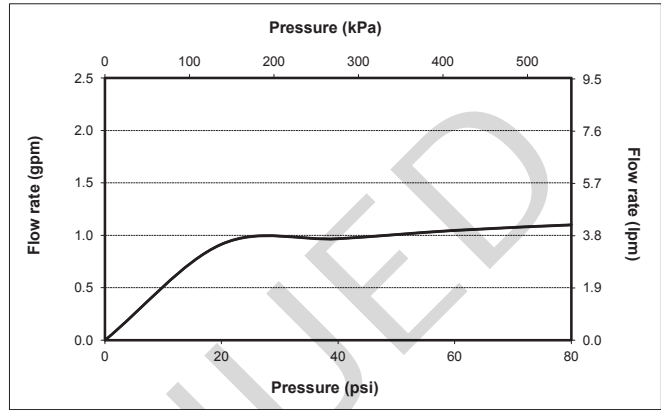
The widespread lavatory faucet shall have a maximum flow rate of 1.2 gpm (4.5 lpm). Product shall have lever handles. Product shall have a solid brass construction. Product shall have a ceramic disk valve cartridge. Product shall accommodate 8"-16" spread. Product shall include metal pop-up drain assembly. Product shall be TOTO Model TL794DD12#CP.

TL794DD12

Nexus® Widespread Lavatory Faucet

SPECIFICATIONS

- Warranty**
 - Lifetime Limited Warranty (Residential Use)
 - One Year (Commercial Use)
- Material**
 - Brass
- Maximum Flow Rate**
 - 1.2 gpm (4.5 lpm)
- Shipping Weight**
 - 8.6 lbs.
- Shipping Dimensions**
 - 14-1/4" L x 12-1/4" W x 2-3/4" H



TOTO®

These dimensions and specifications are subject to change without notice