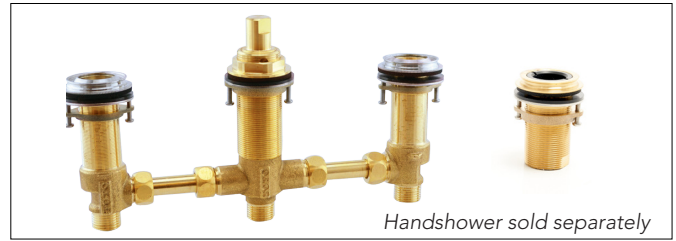


## Four-Hole Roman Tub Filler Rough-In

### FEATURES

- Corrosion resistant
- 1/2" NPSM
- Forged brass body
- For use with four-hole roman tub filler trim connecting tube



### REQUIRED COMPONENTS (Sold Separately)

Connecting Tube Model	Spread
TBN01011U	7-1/2"~8-1/4" (200 ± 10 mm)
TBN01012U	8-1/4"~9-1/16" (220 ± 10 mm)
TBN01013U	9-1/16"~9-13/16" (240 ± 10 mm)
TBN01014U	9-13/16"~10-5/8" (260 ± 10 mm)
TBN01015U	10-5/8"~11-3/8" (280 ± 10 mm)
TBN01016U	11-3/8"~12-3/16" (300 ± 10 mm)

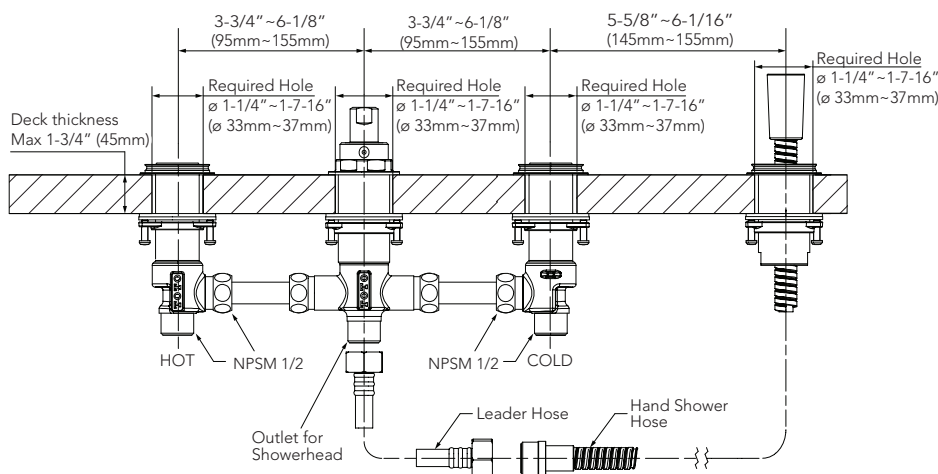
Connecting tubes shown in drawing below

### CODES/STANDARDS

- Meets or exceeds ASME A112.18.1/CSA B125.1
- Certifications: IAPMO(cUPC), State of Massachusetts and others
- Code Compliance: UPC, IPC, NSPC, CEC, NPC Canada, and others



### DIMENSIONS



### SPECIFICATIONS

<b>Warranty</b>	Lifetime Limited Warranty (Residential Use) One Year (Commercial Use)
<b>Shipping Dimension</b>	21" x 9-3/4" x 3-1/2"
<b>Shipping Weight</b>	6.15 lbs

### COLOR/FINISHES

- #CP Polished Chrome
- #BN Brushed Nickel

### Made to Order

- #PN Polished Nickel
- #PFG Polished French Gold
- #PBR Polished Bronze
- #MBL Matte Black

### INSTALLATION NOTES

- Check local codes for requirements on installing an ASSE 1070/ASME A112.1070/CSA B125.70 compliant device in series with the tub filler
- Connecting tube model required for installation