

### FEATURES

- WaterSense® certified low-flow 1.2 gpm faucet
- Brass construction
- Accommodates 8" -11" spread
- Lever handles
- Metal pop-up drain assembly included

### COLORS/FINISHES

- #CP Polished Chrome
- #PN Polished Nickel
- #BN Brushed Nickel

### Made to Order

- #PFG Polished French Gold
- #PBR Polished Bronze



### PRODUCT SPECIFICATION

Product shall have a maximum flow rate of 1.2 gpm (4.5 lpm). Product shall have a brass construction. Product shall have lever handles. Product shall have a ceramic disk valve cartridges. Product shall include metal pop-up drain assembly. Product shall be TOTO Model TLG03201U#\_\_\_\_\_.

### CODES/STANDARDS

- Meets or exceeds ASME A112.18.1/CSA B125.1, NSF 61-9, NSF 372
- Certifications: IAPMO(cUPC), EPA WaterSense, State of Massachusetts and others
- Code Compliance: UPC, IPC, NSPC, CEC, DoE, NPC Canada, and others
- California Green Building Code, City of Los Angeles Water Efficiency Ordinance
- Complies with federal and state requirements as lead-free (weighted average of 0.25% lead or less)
- ADA compliant
- Complies with CA Prop 65 warning requirements



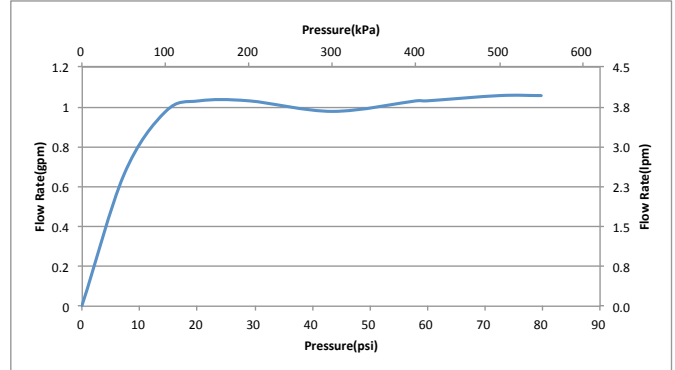
# TLG03201U

## GS Widespread Faucet

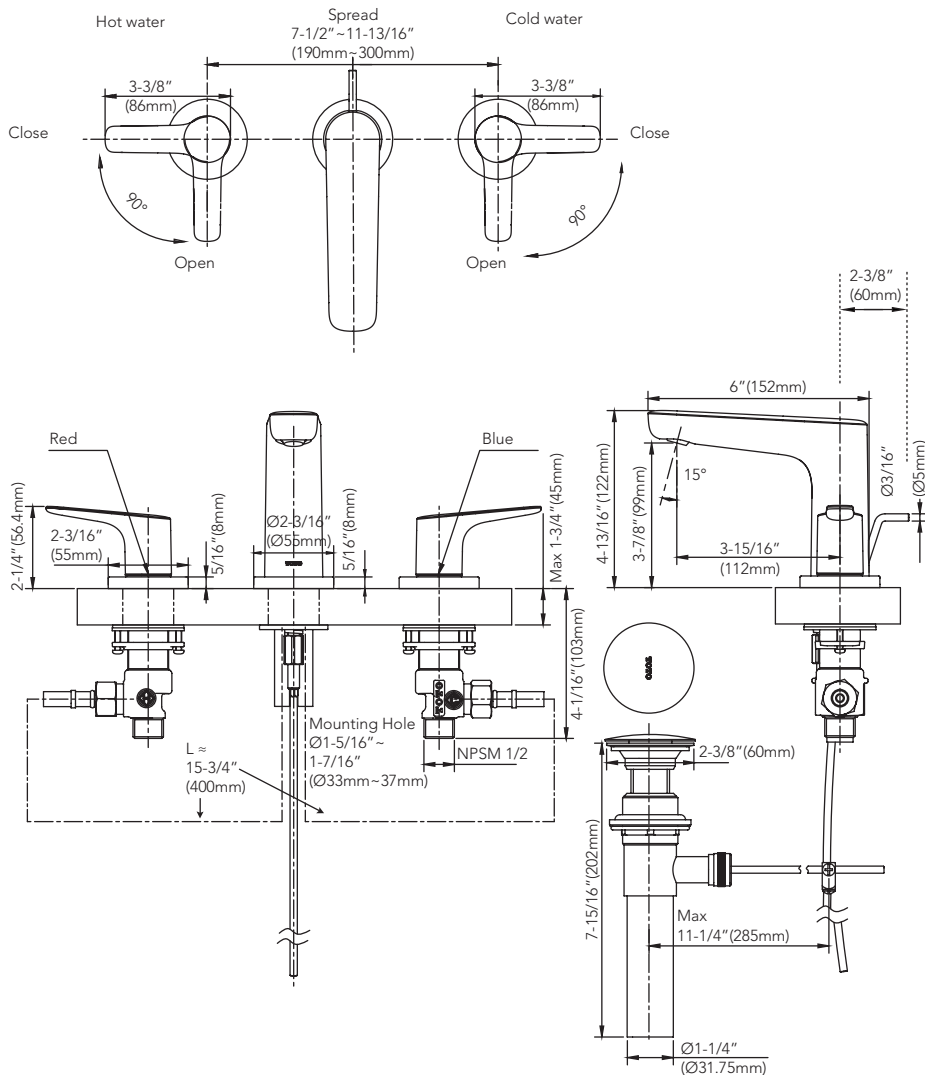
### SPECIFICATIONS

<b>Material</b>	Brass
<b>Maximum Flow Rate</b>	1.2 gpm (4.5 lpm)
<b>Warranty</b>	Lifetime Limited Warranty (Residential Use) One Year (Commercial Use)

### INSTALLATION NOTES



### DIMENSIONS



**TOTO®**

These dimensions and specifications are subject to change without notice