

Two-Way Diverter Trim - Round

FEATURES

- For use with TBN01102U Valve
- Unobtrusive twist assist for a clean aesthetic
- Thin escutcheon at approximately 10 mm
- No positive shut off position

COLORS/FINISHES

- #CP Polished Chrome
- #BN Brushed Nickel

Made to Order

- #PN Polished Nickel
- #PFG Polished French Gold
- #PBR Polished Bronze
- #MBL Matte Black

OPTIONAL ACCESSORIES

- THP5468 (###)
Volume Control or Diverter Trim ADA Handle

Accessory COLORS/FINISHES

Optional accessory is available to match COLORS/
FINISHES section above

CODES/STANDARDS

- Meets or exceeds ASME A112.18.1/CSA B125.1
- Certifications: IAPMO(cUPC), State of Massachusetts, City of Los Angeles, and others
- Code Compliance: UPC, IPC, NSPC, NPC Canada, and others
- Complies with CA Prop 65 warning requirements



PRODUCT SPECIFICATION

Product shall be TOTO Model TBV01103U#____.
Product shall require TBN01102U 2-way diverter valve with no off (sold separately). Product shall have no positive shut-off position.



TBV01103U

Two-Way Diverter Trim - Round

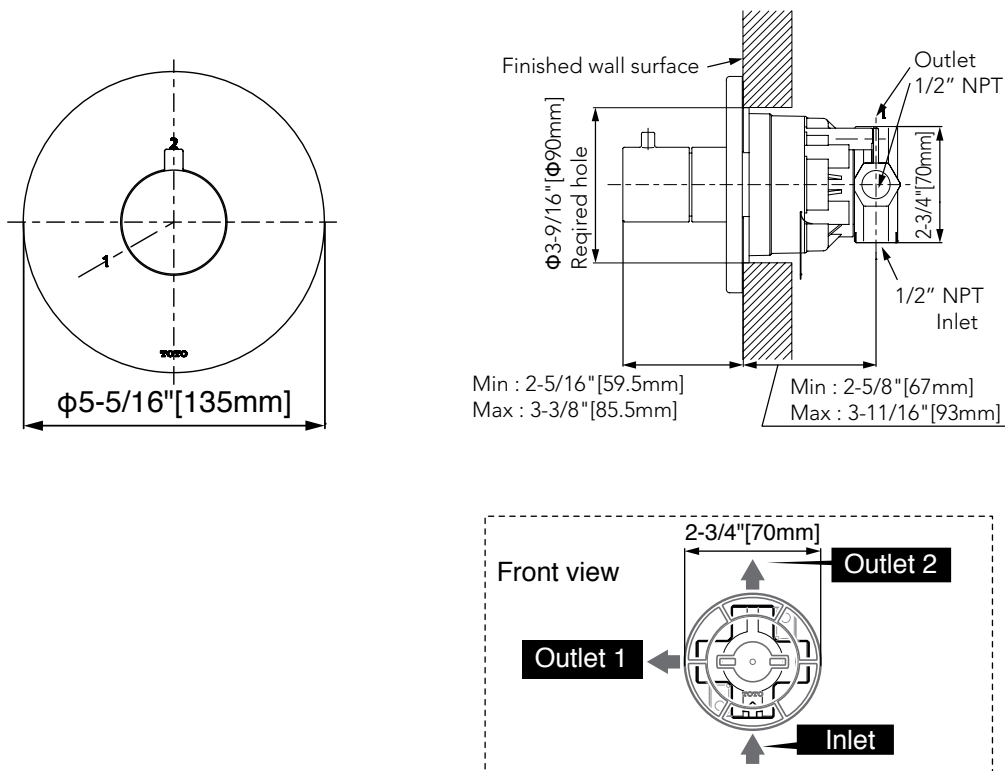
SPECIFICATIONS

Material	Brass
Warranty	Limited Lifetime (Residential Use) One Year (Commercial Use)
Shipping Weight	1.35 lbs
Shipping Dimensions	7" x 6-1/2" x 5-1/8"

INSTALLATION NOTES

VALVE REQUIRED: TBN01102U 2-way diverter valve with no off (sold separately).

DIMENSIONS



TOTO

Ph: (888) 295-8134 | Fax: (800) 699-4889 | www.totousa.com | © TOTO USA

These dimensions and specifications are subject to change without notice

#SS-01297 v.02