

TOTO®

TBV02404U

Thermostatic Mixing Valve with Two-Way Diverter Trim - Square

FEATURES

- For use with MiniUnit™ (TBN01001U)
- Unobtrusive twist assist for a clean aesthetic
- Meets 2018 California water efficiency CEC leakage regulations
- Thin escutcheon at approximately 10mm
- ASSE certified Safety Thermo™ (SMA) Thermostatic Mixing Valve

COLORS/FINISHES

- #CP Polished Chrome
- #PN Polished Nickel
- #BN Brushed Nickel

OPTIONAL ACCESSORIES

- **THP5466#(CP, PN, BN)**
Thermostatic Mixing Valve ADA Handle - Polished Chrome, Polished Nickel, Brushed Nickel
- **THP5467#(CP, PN, BN)**
Volume Control/Diverter ADA Handle - Polished Chrome, Polished Nickel, Brushed Nickel

PRODUCT SPECIFICATION

Product shall be TOTO Model TBV02404U#____.
Product shall require TBN01001U MiniUnit (sold separately). Product shall be a temperature control valve and trim with anti-scald safety stop. Product shall be ASSE certified.



Safety Thermo™ (SMA)

CODES/STANDARDS

- Meets or exceeds ASSE 1016/ASME A112.1016/CSA B125.16, ASME A112.18.1/CSA B125.1
- Certifications: IAPMO(cUPC), State of Massachusetts, City of Los Angeles, and others
- Code Compliance: UPC, IPC, NSPC, NPC Canada, CEC, and others
- Complies with CA Prop 65 warning requirements



TBV02404U

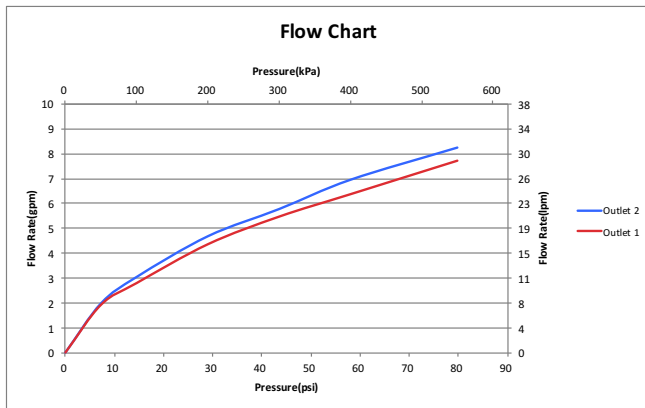
Thermostatic Mixing Valve with Two-Way Diverter Trim - Square

SPECIFICATIONS

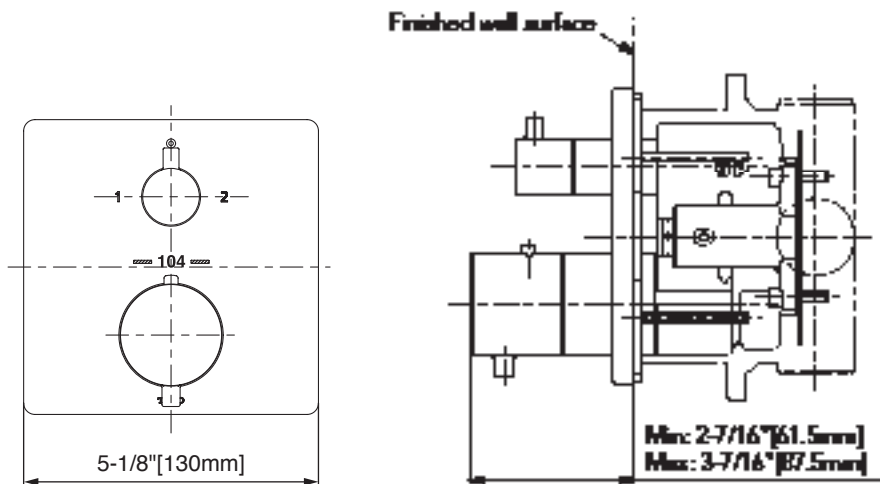
Material	Brass
Warranty	Limited Lifetime (Residential Use) One Year (Commercial Use)
Shipping Weight	5.55 lbs
Shipping Dimensions	9-1/4" x 7-5/8" x 6"

INSTALLATION NOTES

Requires TBN01001U MiniUnit (sold separately).



DIMENSIONS



TOTO

Ph: (888) 295-8134 | Fax: (800) 699-4889 | www.totousa.com | © TOTO USA

These dimensions and specifications are subject to change without notice

#SS-01301 v.02