

## Tub Spout - Modern R

### FEATURES

---

- Laminar flow
- Solid brass construction
- 1/2" NPT connection

### COLORS/FINISHES

---

- #CP Polished Chrome
- #BN Brushed Nickel

#### **Made to Order**

- #PN Polished Nickel
- #PFG Polished French Gold
- #PBR Polished Bronze
- #MBL Matte Black



### CODES/STANDARDS

---

- Meets or exceeds ASME A112.18.1/CSA B125.1
- Certifications: IAPMO(cUPC), State of Massachusetts and others
- Code Compliance: UPC, IPC, NSPC, NPC Canada, and others
- Complies with CA Prop 65 warning requirements



### PRODUCT SPECIFICATION

---

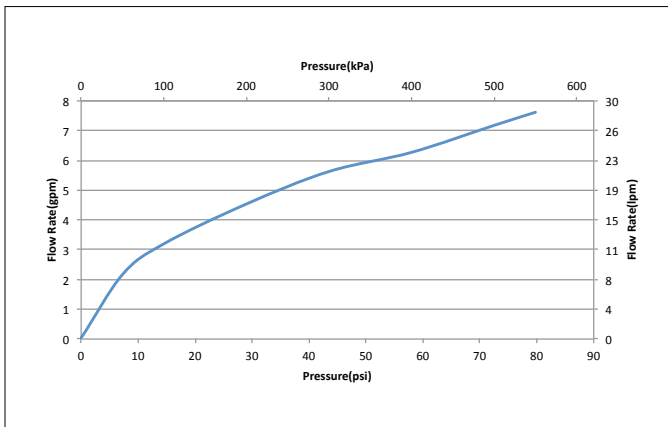
The tub spout shall have a laminar flow. Product shall have a solid brass construction. Product shall have 1/2" NPT connection. Product shall be TOTO Model TBG01001U#\_\_\_\_\_.

# TBG01001U

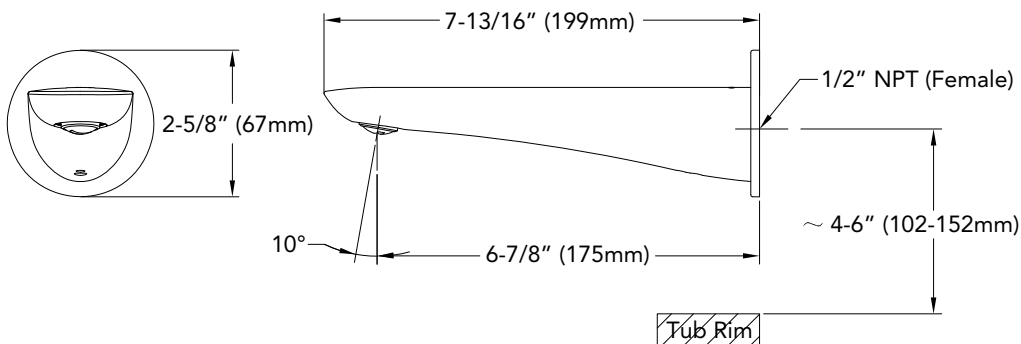
## Tub Spout - Modern R

### SPECIFICATIONS

<b>Material</b>	Brass
<b>Warranty</b>	Limited Lifetime for Residential Use One Year for Commercial Use
<b>Shipping Weight</b>	2.6 lbs
<b>Shipping Dimensions</b>	10" L x 4-1/4" W x 3-3/8" H



### DIMENSIONS



**TOTO**

Ph: (888) 295-8134 | Fax: (800) 699-4889 | www.totousa.com | © TOTO USA

*These dimensions and specifications are subject to change without notice*

#SS-01316 v.02