

FEATURES

SP Bowl

- DYNAMAX™ TORNADO FLUSH® system, high efficiency (1.28GPF/0.9GPF)
- CEFIONTECT® ceramic glaze - prevents debris, mold from sticking to ceramic surfaces
- Universal Height
- Square shape front bowl

SoftClose® Seat

- Square shape closed front toilet seat and cover with SoftClose hinge system
- Mounting hardware included
- Made from urea-resin
- Quick release hinges for easier cleaning

DuoFit® In-Wall Tank

- High-efficiency dual flush 1.28 & 0.9 GPF (4.8 & 3.4 LPF)
Avg. flush 1.03 GPF
- Adjustable 15" -19" mounting height
- Saves up to 9" of floor space compared to standard floor-mounted toilet
- Supports up to 880lbs
- Commercial 2" x 6" or optional residential installation with 2" x 4" wall studs with waste outlet kit
- Copper supply line

Push Plate

- Basic Square Push Plate - YT920#WH (White Matte) or YT920#MS (Matte Silver)

KIT COMPONENTS

- CT449CFG#01
SP Wall-Hung Toilet
- WT172M
In-Wall Tank System (Copper Pipe)
- SS249R#01
SP Slim Square SoftClose Seat
- YT920#WH
Basic Square Push Plate - White Matte
or
YT920#MS
Basic Square Push Plate - Matte Silver

COLORS/FINISHES

- Standard
#01 Cotton



**DYNAMAX
TORNADO FLUSH**



CEFIONTECT

CODES/STANDARDS

- Meets and exceeds:
 - Bowl: ASME A112.19.2/CSA B45.1, ASME A112.19.14
 - Carrier System: ASME A112.6.2
 - Tank Trim: IAPMO PS50, CSA B125.3, ASSE1002
- Certifications: IAPMO (cUPC), EPA WaterSense State of Massachusetts, City of Los Angeles and others
- Legislative compliance: California AB715, California Green Building Code, City of Los Angeles Water Efficiency Ordinance
- Code Compliance: UPC, IPC, NSPC, NPC Canada, and others

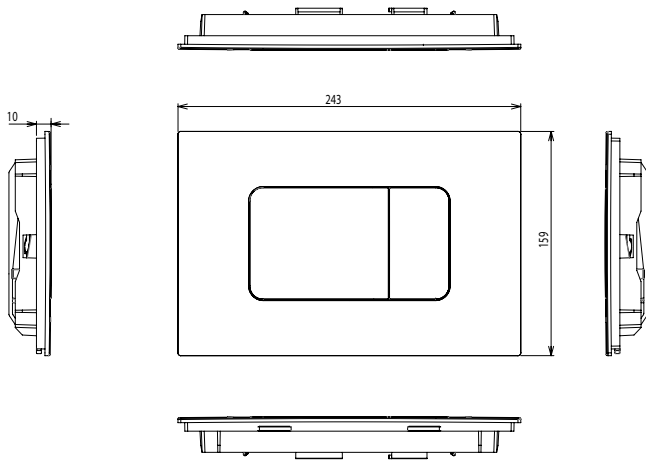


CWT449249CMFG

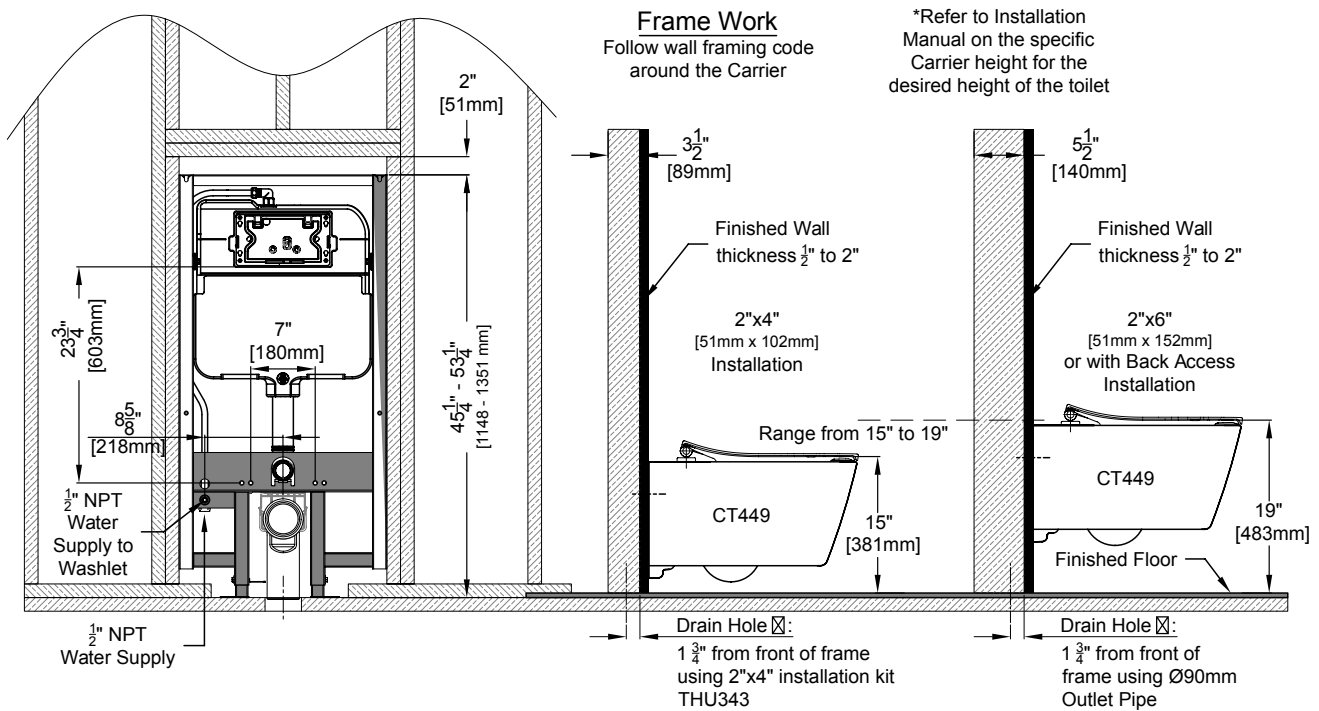
SP Wall-Hung Toilet, 1.28GPF & 0.9GPF

PRODUCT DIMENSIONS

YT920#WH or YT920#MS



WT172M



TOTO

These dimensions and specifications are subject to change without notice