

Modern Showerhead 5 Mode

FEATURES

- WaterSense® certified high-efficiency 1.75 gpm (6.6 lpm)
- Rubber nozzles to prevent limescale build-up
- G 1/2 thread connection compatible with 1/2 NPT
- Meets 2018 California water efficiency appliance CEC regulations
- Shower arm sold separately

OPTIONAL COMPONENT

TBW01012UV1: Modern Shower Arm

COLORS/FINISHES

#CP Polished Chrome

CODES/STANDARDS

- Meets or exceeds ASME A112.18.1/CSA B125.1
- Certifications: IAPMO(cUPC), EPA WaterSense, State of Massachusetts and others
- Code Compliance: UPC, IPC, NSPC, NPC Canada, DoE, CEC and others
- Complies with CA Prop 65 warning requirements



PRODUCT SPECIFICATION

Product shall be TOTO Model TBW01013U4#_____. Product shall have a maximum flow rate of 1.75 gpm (6.6 lpm). Product shall have a multiple spray. Product shall have rubber nozzles to prevent limescale build-up. Product shall have G 1/2 thread connection compatible with 1/2 NPT. Product shall meet 2018 California water efficiency appliance CEC regulations. Product shower arm sold separately.



Please note the following components are sold separately



TBW01012UV1: Modern Shower Arm

TBW01013U4

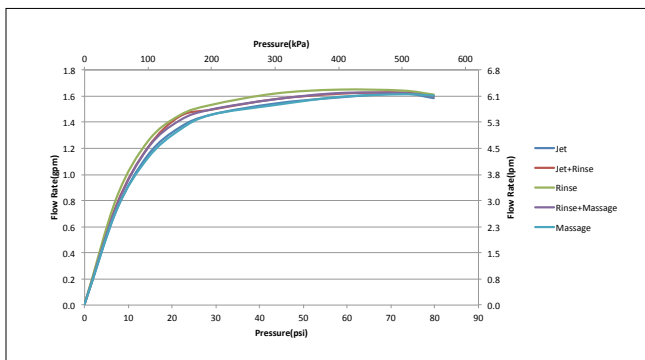
Modern Showerhead 5 Mode

SPECIFICATIONS

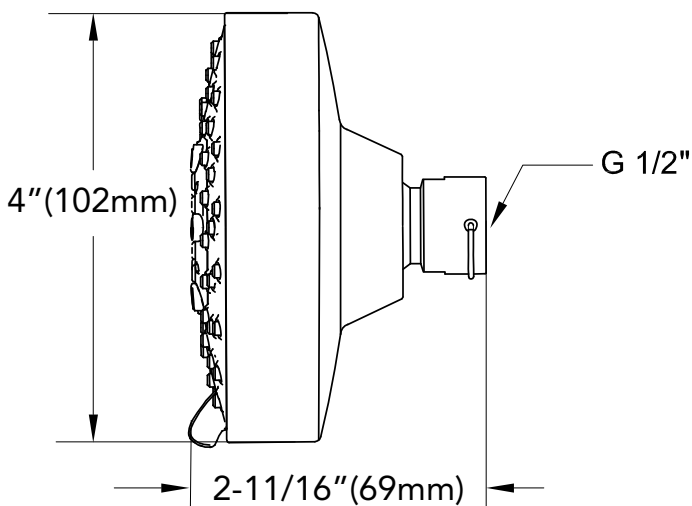
Material	ABS & POM
Maximum Flow Rate	1.75 gpm (6.6 lpm)
Warranty	Limited Lifetime for Residential Use One Year for Commercial Use
Shipping Weight	1.05 lbs
Shipping Dimensions	7-7/8"L x 5-3/4"W x 5"H

INSTALLATION NOTES

Compatible with TBW01012UV1 Modern Shower Arm



DIMENSIONS



TOTO