

### FEATURES

- WaterSense® certified high-efficiency 1.75 gpm (6.6 lpm)
- ø4-5/16" Single spray handshower
- Balanced Comfort Wave™ technology with wide coverage rinse & wash
- Easy to clean rubber nozzles reduce scale buildup
- Meets 2018 California water efficiency appliance CEC regulations
- Shower hose sold separately

### COLORS/FINISHES

- #CP Polished Chrome
- #BN Brushed Nickel

### Made to Order

- #PN Polished Nickel
- #PFG Polished French Gold
- #PBR Polished Bronze
- #MBL Matte Black



### CODES/STANDARDS

- Meets or exceeds ASME A112.18.1/CSA B125.1
- Certifications: IAPMO(cUPC), EPA WaterSense, State of Massachusetts and others
- Code Compliance: UPC, IPC, NSPC, NPC Canada, DoE, CEC and others
- Complies with CA Prop 65 warning requirements



### PRODUCT SPECIFICATION

Product shall be TOTO Model TBW02010U4#\_\_\_\_.  
Product shall have maximum flow rate of 1.75 gpm (6.6 lpm). Product shall have balanced Comfort Wave technology with wide coverage overlaying rinse & wash. Product shall have rubber nozzles to prevent limescale build-up. Product shall meet 2018 California water efficiency appliance CEC regulations. Product shower hose sold separately.

# TBW02010U4

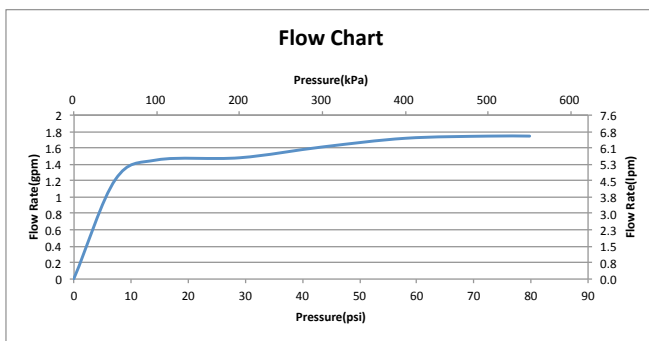
## Square Handshower 1 Mode

### SPECIFICATIONS

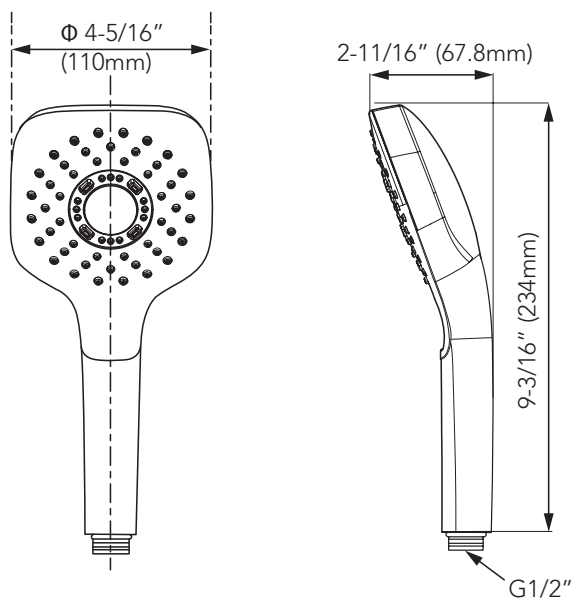
Material	ABS & POM
Maximum Flow Rate	1.75 gpm (6.6 lpm)
Warranty	Limited Lifetime for Residential Use One Year for Commercial Use
Shipping Weight	1.1 lbs
Shipping Dimensions	10-3/4" L x 5-1/8" W x 3-3/4" H

### INSTALLATION NOTES

For use with TBW01026U/TBW01027U: Shower hose (Sold separately)



### DIMENSIONS



**TOTO**