

Modern Handshower 1 Mode

FEATURES

- WaterSense® certified high-efficiency
2.0 gpm (7.6 lpm)
- 4-1/16" Single-spray handshower
- Easy to clean rubber nozzles reduce scale buildup
- Shower hose and Wall-Mount sold separately

COLORS/FINISHES

#CP Polished Chrome

CODES/STANDARDS

- Meets or exceeds ASME A112.18.1/CSA B125.1
- Certifications: IAPMO(cUPC), EPA WaterSense, State of Massachusetts and others
- Code Compliance: UPC, IPC, NSPC, NPC Canada, DoE, and others
- Complies with CA Prop 65 warning requirements



PRODUCT SPECIFICATION

Product shall be TOTO Model TBW01019U2# ____.

Product shall have 2.0 gpm (7.6 lpm) maximum flow rate. Product shall have balanced Comfort Wave with wide coverage overlaying rinse & wash. Product shall have rubber nozzles to prevent limescale build-up. Product must be installed with a certified backflow preventer. Product shall have shower hose sold separately.

TBW01019U2

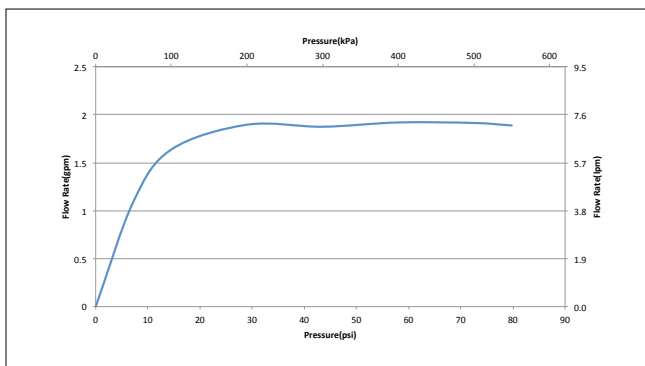
Modern Handshower 1 Mode

SPECIFICATIONS

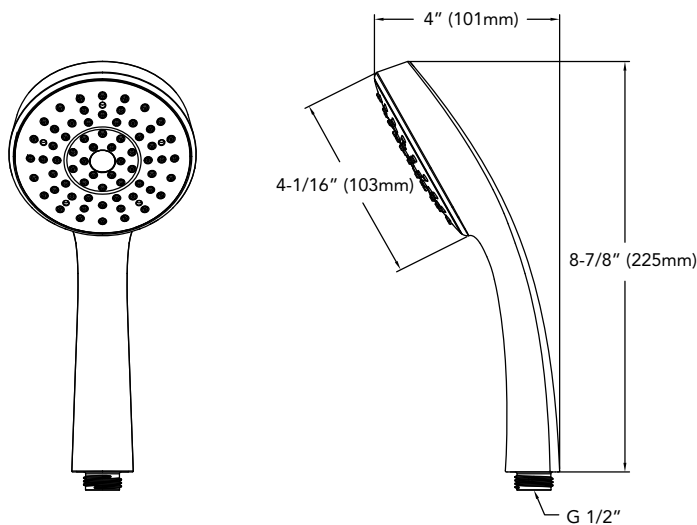
Material	ABS & POM
Maximum Flow Rate	2.0 gpm (7.6 lpm)
Warranty	Limited Lifetime for Residential Use One Year for Commercial Use
Shipping Weight	1.0 lb.
Shipping Dimensions	9" L x 7-1/2" W x 5-5/8" H

INSTALLATION NOTES

For use with TBW01027U/TBW01026U: Shower hose and
TBW02014U/TBW01025U: Wall-Mount (Sold separately)



DIMENSIONS



TOTO