

## Classic Handshower 5 Mode

### FEATURES

- WaterSense® certified high-efficiency 2.0 gpm (7.6 lpm)
- 4-1/16" Multi-function spray with rinse, aerated, and massage sprays
- Easy to clean rubber nozzles reduce scale buildup
- Shower hose and Wall-Mount sold separately

### COLORS/FINISHES

#CP Polished Chrome

### CODES/STANDARDS

- Meets or exceeds ASME A112.18.1/CSA B125.1
- Certifications: IAPMO(cUPC), EPA WaterSense, State of Massachusetts and others
- Code Compliance: UPC, IPC, NSPC, NPC Canada, DoE, and others
- Complies with CA Prop 65 warning requirements



### PRODUCT SPECIFICATION

Product shall be TOTO Model TBW03003U2# \_\_\_\_.

Product shall have maximum flow rate of 2.0 gpm (7.6 lpm). Product shall have multi-function spray with rinse, aerated, and massage sprays. Product shall have rubber nozzles to prevent limescale build-up. Product must be installed with a certified backflow preventer. Product shall have shower hose sold separately.

# TBW03003U2

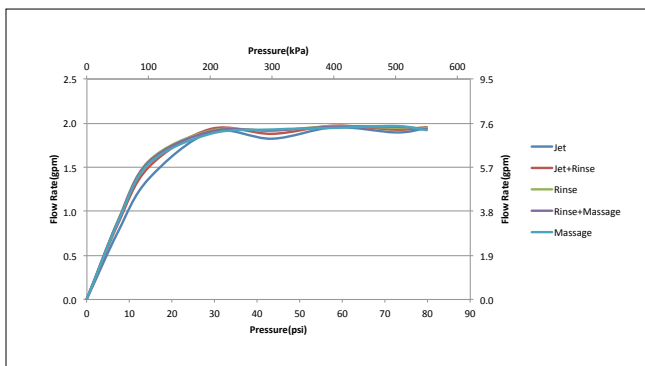
## Classic Handshower 5 Mode

### SPECIFICATIONS

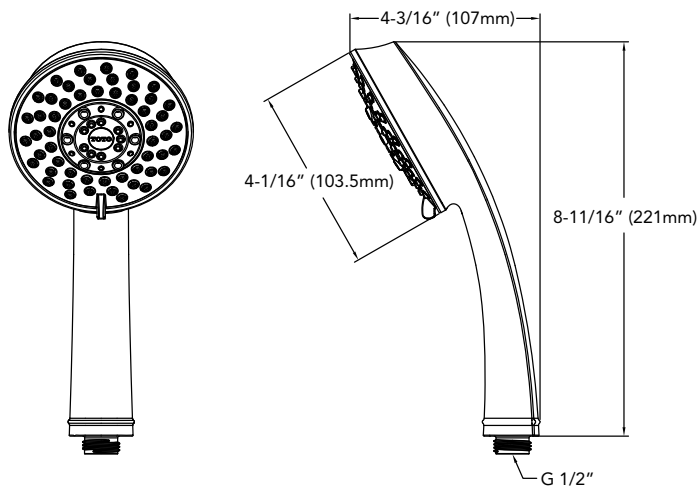
<b>Material</b>	ABS & POM
<b>Maximum Flow Rate</b>	2.0 gpm (7.6 lpm)
<b>Warranty</b>	Limited Lifetime for Residential Use One Year for Commercial Use
<b>Shipping Weight</b>	1.10 lbs.
<b>Shipping Dimensions</b>	9" L x 7-1/2" W x 5-5/8" H

### INSTALLATION NOTES

For use with TBW01027U/TBW01026U: Shower hose and  
TBW02014U/TBW01025U: Wall-Mount (Sold separately)



### DIMENSIONS



**TOTO**