

## GB Three-Hole Roman Tub Filler Trim

### FEATURES

- Lever handles
- Brass construction
- For use with three-hole Roman tub filler rough-in (TBN02201U)

### REQUIRED COMPONENTS (Sold Separately)

- **TBN02201U**  
Three-hole Roman Tub Filler Rough-In

### REQUIRED ROUGH-IN TUBE (Sold Separately)

Spread	Connecting Tube Model
7-1/2" ~ 8-1/4" (200 ± 10 mm)	TBN01011U
8-1/4" ~ 9-1/16" (220 ± 10 mm)	TBN01012U
9-1/16" ~ 9-13/16" (240 ± 10 mm)	TBN01013U
9-13/16" ~ 10-5/8" (260 ± 10 mm)	TBN01014U
10-5/8" ~ 11-3/8" (280 ± 10 mm)	TBN01015U
11-3/8" ~ 12-3/16" (300 ± 10 mm)	TBN01016U

Only 1 Rough-in Tube required

### COLORS/FINISHES

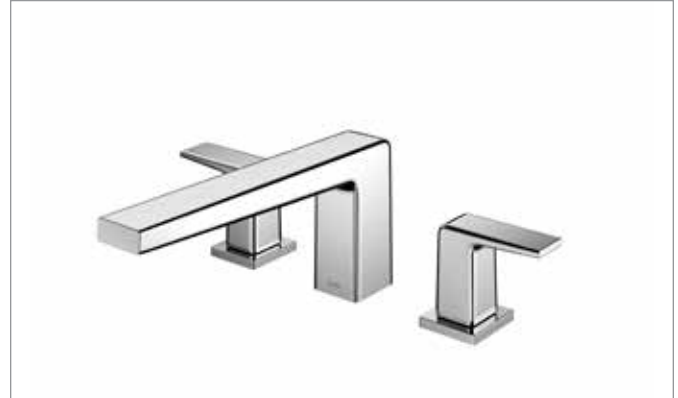
- #CP Polished Chrome
- #BN Brushed Nickel

### Made to Order

- #PN Polished Nickel
- #PFG Polished French Gold
- #PBR Polished Bronze
- #MBL Matte Black

### PRODUCT SPECIFICATION

Tub filler trim shall have a brass construction. Product shall have lever handles. Product requires TBN02201U rough-in, sold separately. Product shall be TOTO Model TBG10201U#\_\_\_\_\_.



### CODES/STANDARDS

- Meets or exceeds ASME A112.18.1/CSA B125.1
- Certifications: IAPMO(cUPC), State of Massachusetts and others
- Code Compliance: UPC, IPC, NSPC, NPC Canada, and others
- ADA compliant
- Complies with CA Prop 65 warning requirements

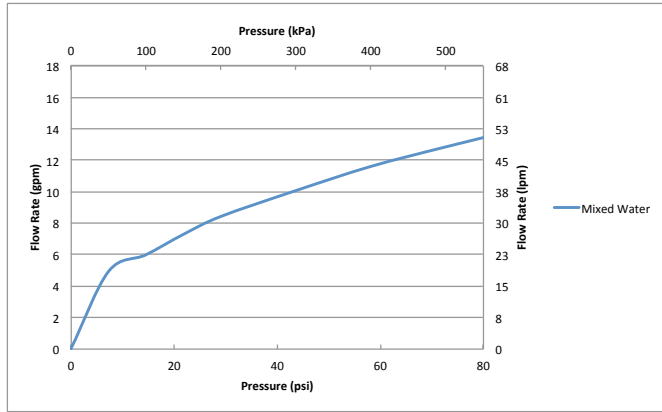


# TBG10201U

## GB Three-Hole Roman Tub Filler Trim

### SPECIFICATIONS

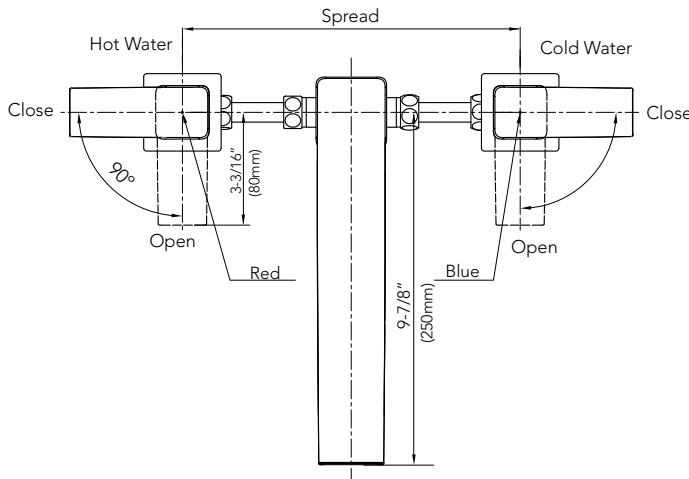
<b>Material</b>	Brass
<b>Warranty</b>	Lifetime Limited Warranty (Residential Use) One Year (Commercial Use)



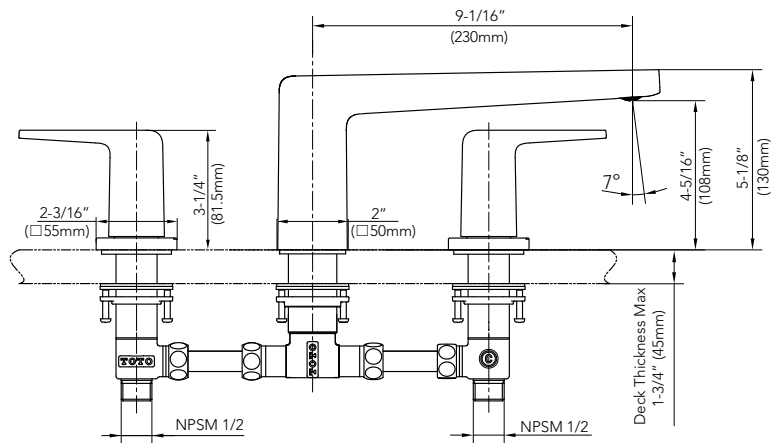
### INSTALLATION NOTES

- Check local codes for requirements on installing an ASSE 1070/ASME A112. 1070/CSA B125.70 compliant device in series with the tub filler.
- Three-hole roman tub filler rough-in TBN02201U sold separately
- Please refer to the TBN02201U spec sheet for more required installation details.

### DIMENSIONS



Spread	Connecting Tube Model
7-1/2" ~ 8-1/4" (200 ± 10 mm)	TBN01011U
8-1/4" ~ 9-1/16" (220 ± 10 mm)	TBN01012U
9-1/16" ~ 9-13/16" (240 ± 10 mm)	TBN01013U
9-13/16" ~ 10-5/8" (260 ± 10 mm)	TBN01014U
10-5/8" ~ 11-3/8" (280 ± 10 mm)	TBN01015U
11-3/8" ~ 12-3/16" (300 ± 10 mm)	TBN01016U



NOTE: Unit for dimensions = inches  
Dimension in ( ) is mm.

Tub filler rough-in sold separately.

**TOTO**

These dimensions and specifications are subject to change without notice

Ph: (888) 295-8134 | Fax: (800) 699-4889 | www.totousa.com | © TOTO USA

# SS-01611 v.02