

### FEATURES

---

- Gentle Aerated, Warm Water, Dual Action Spray with oscillating and pulsating feature
- Adjustable water temperature and volume
- 2 user setting
- Docking Station Easy to Install and Clean
- Heated Seat with Temperature Control
- Convenient slim wireless remote, with illuminated touch pad.
- SoftClose® Seat
- Self-Cleaning Wand

### MODELS

---

- T1SW2024#01 - Elongated front

### COLORS/FINISHES

---

- #01 Cotton



### PRODUCT SPECIFICATION

---

**Seat shall be model # T1SW2024\_\_\_\_\_**

Seat shall have gentle aerated, warm water, dual action spray with cycling movement and massage feature. Seat shall have adjustable water temperature and volume. Seat shall be solid plastic with closed front seat and cover. Seat shall include power cord, and water supply hoses.

### CODES/STANDARDS

---

- Meets and exceeds ASME A112.4.2, ASME A112.18.1/CSA B125.1, UL 1431, CSA C22.2 #68
- Certifications: IAPMO(cUPC), State of Massachusetts, City of Los Angeles and others
- Code Compliance: UPC, IPC, NSPC, NPC Canada, and others
- Complies with CA Prop 65 warning requirements



# T1SW2024

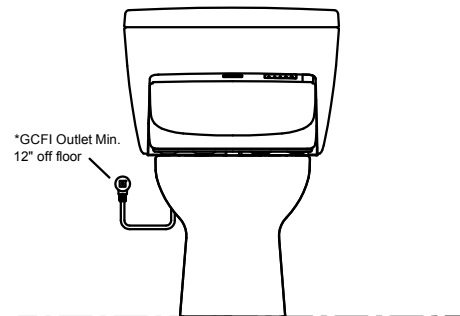
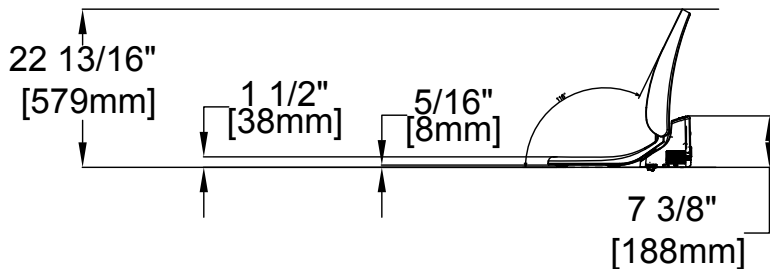
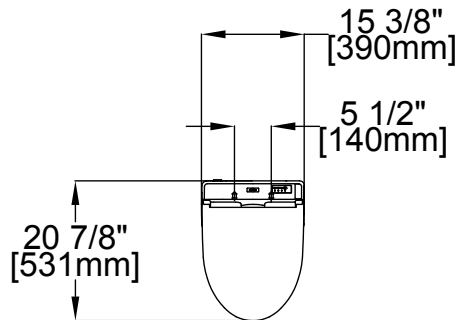
WASHLET®

## SPECIFICATIONS

- **Power Rating:** AC 120V-60Hz, 292W
- **Power Cord:** Maximum length: 3.94 ft/120 cm, 3 prong grounded plug
- **Water Feature:** Adjustable Water Flow Rate:
  - Front washing - 9.8-14.5 oz/min
  - Rear washing - 9.1 -14.5 oz/min
  - Soft Rear - from 9.1 -14.5 oz/min
- **Washing Spray Temp:** Minimum: 86°F/30°C  
Maximum: 104°F/40°C
- **Safety Device:** Thermal fuse
- **Seat Warming Feature:** Surface Temperature:
  - Minimum: 82°F/28°C
  - Maximum: 97°F/36°C
- **Safety Device:** Thermal fuse
- **Water Supply Pressure:** Minimum: 7.25 psi  
Maximum: 108.75 psi
- **Ambient Temperature:** Range: 32°F/0°C to 104°F/40°C
- **Warranty:** One Year Limited Warranty

## INSTALLATION NOTES

- For use with potable water only. Do not use with recycled water.
- WASHLET T1SW2024 may not fit certain toilet bowl designs.
- It is highly recommended to use a surge protector to prevent damage in the event of a power surge.



\*The 3-prong cord on the Washlet is on the right side and is 4' long. The GFCI outlet needs to have 120V, 10amps.

**TOTO®**

*These dimensions and specifications are subject to change without notice*