

FEATURES

- Laminar flow
- Solid brass construction
- 1/2" NPT connection

COLORS/FINISHES

- #CP Polished Chrome
- #BN Brushed Nickel

Made to Order

- #PN Polished Nickel
- #PFG Polished French Gold
- #PBR Polished Bronze
- #MBL Matte Black

PRODUCT SPECIFICATION

The tub spout shall have a laminar flow. Product shall have brass construction. Product shall be TOTO Model TBG08001U#_____.

CODES/STANDARDS

- Meets or exceeds ASME A112.18.1/CSA B125.1
- Certifications: IAPMO(cUPC), State of Massachusetts, and others
- Code Compliance: UPC, IPC, NSPC, NPC Canada, and others
- Complies with CA Prop 65 warning requirements

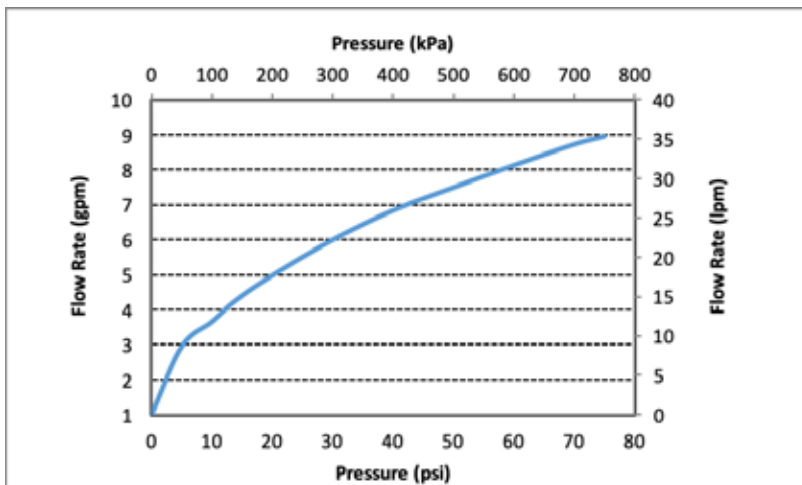


TBG08001U

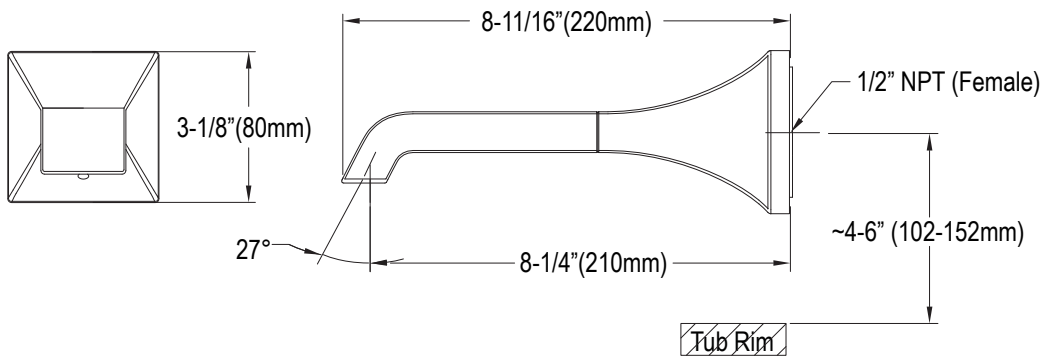
GC Tub Spout

SPECIFICATIONS

Material	Brass
Warranty	Lifetime Limited Warranty (Residential Use) One Year (Commercial Use)
Shipping Weight	3.5 lbs
Shipping Dimensions	10" L x 4-1/8" W x 3-7/8" H



DIMENSIONS



TOTO

These dimensions and specifications are subject to change without notice.