

Aquia® IV WASHLET®+ C2 Two-Piece Toilet - 1.28 & 0.8 GPF

FEATURES

- Concealed supply connection for seamless installation
- DYNAMAX TORNADO FLUSH® utilizes 360° cleaning power to reach every part of the bowl
- Ultra high-efficiency dual flush 1.28 & 0.8 GPF (4.8 & 3.0 LPF)
- CEFIONTECT® ceramic glaze prevents debris and mold from sticking to ceramic surfaces
- Design of the bowl reduces water flow resistance resulting in a quieter flushing sound
- Completely skirted design for a sleek and understated look that's easier to clean
- UNIVERSAL HEIGHT
- 12" Rough-in
- Chrome push-button
- Elongated front bowl and WASHLET+ C2 and tank set
- EWATER+® auto-cleans wand
- On-demand remote function cleans wand with EWATER+
- PREMIST® of bowl before each use
- Convenient arm control panel

MODELS & COMPONENTS

- MW4463074CEMFG (#01)
With CEFIONTECT ceramic glaze, WASHLET+ C2
 - CT446CUFGT40
Elongated bowl with CEFIONTECT
 - ST446EMA
Tank and cover only
 - SW3074T40
WASHLET+ C2
 - 9AU321-A
WASHLET adapter

Optional Components

- THU735(#01, #PN, #BN)-A
Push Button - Cotton, Polished Nickel, Brushed Nickel
- TSU08W.10
10" Unifit Rough-In
- TSU08W.14
14" Unifit Rough-In

COLORS/FINISHES

- #01 Cotton



-  DYNAMAX TORNADO FLUSH
-  UNIVERSAL HEIGHT
-  CEFIONTECT
-  EWATER+

PRODUCT SPECIFICATION

The two-piece, ultra high-efficiency, DYNAMAX TORNADO FLUSH toilet shall be dual flush 1.28 GPF/0.8 GPF. Toilet shall have CEFIONTECT ceramic glaze, elongated front bowl, high profile tank, complete skirted bowl and chrome push-button. Toilet shall be TOTO Model MW4463074CEMFG#01.

See SW3074T40 Specification Sheet for details on included WASHLET.

CODES/STANDARDS

- Meets and exceeds ASME A112.19.2/CSA B45.1, ASME A112.19.14
- Certifications: IAPMO(cUPC®), EPA WaterSense, State of Massachusetts, and others
- Code Compliance: UPC, IPC, NSPC, NPC Canada, and others
- Legislative Compliance: California Green Building Code, City of Los Angeles Water Efficiency Ordinance, and others
- Complies with CA Prop 65 warning requirements



MW4463074CEMFG

Aquia® IV WASHLET®+ C2 Two-Piece Toilet, 1.28 & 0.8 GPF

SPECIFICATIONS

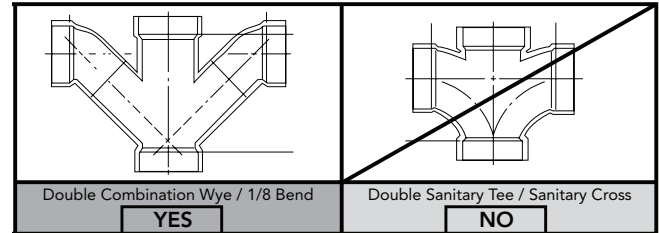
Water Use	1.28 & 0.8 GPF (4.8 & 3.0 LPF)
Flush System	DYNAMAX TORNADO FLUSH®
Min. Water Pressure	8 psi (Flowing)
Water Surface	5-5/8" x 4-1/8"
Trap Diameter	2-1/2"
Rough-in	12" (10" & 14" Optional)
Trap Seal	2-1/8"
Warranty	One Year Limited Warranty
Material	Vitreous China
Shipping Weight	CT446CUFGT40 85 lbs ST446EMA 29 lbs
Shipping Dimensions	CT446CUFGT40 30-3/4" L x 17-3/8" W x 20-1/2" H ST446EMA 17-1/4" L x 7-7/8" W x 17-1/2" H

See SW3074T40 Specification Sheet for details on included WASHLET.

INSTALLATION NOTES

Back-to-Back Toilet Installations:

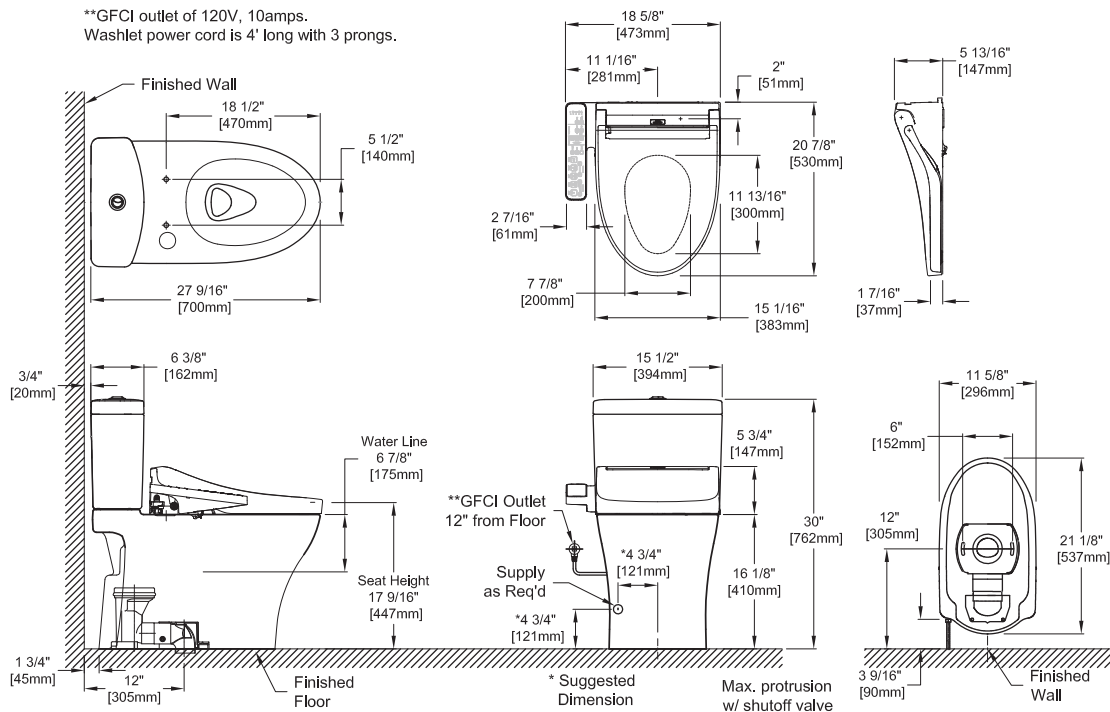
TOTO recommends the use of a nationally listed, double sanitary tee-wye only, in vertical waste stacks, in accordance with the stipulations noted in the majority of nationally recognized plumbing codes.



To maintain adequate wall gap between the back of the tank and wall, mount the floor flange at a nominal 12" rough-in distance.

Ultra-low high efficiency toilets require a system with adequate supplemental flows from other water usage fixtures and a 4" ID drainline with minimum 2% slope and maximum linear runs of 60ft.

DIMENSIONS



TOTO®

These dimensions and specifications are subject to change without notice

Ph: (888) 295-8134 | Fax: (800) 699-4889 | www.totousa.com | © TOTO USA

SS-01847 v.01