

Drake® 1G® WASHLET®+ C2 Two-Piece Toilet - 1.0 and 0.8 GPF - 10" Rough-in

FEATURES

- Concealed supply connection for seamless installation
- DYNAMAX TORNADO FLUSH® utilizes 360° cleaning power to reach every part of the bowl
- High-efficiency dual flush 1.0 & 0.8 GPF (3.8 & 3.0 LPF)
- CEFIONTECT® ceramic glaze prevents debris and mold from sticking to ceramic surfaces
- Design of the bowl reduces water flow resistance resulting in a quieter flushing sound
- UNIVERSAL HEIGHT
- 10" Rough-in
- Chrome plated trip lever
- Elongated front bowl and WASHLET+ C2 and tank set
- EWATER+® auto-cleans wand
- On-demand remote function cleans wand with EWATER+
- PREMIST® of bowl before each use
- Convenient arm control panel
- Semi-concealed trapway



1G ONE GALLON PER FLUSH

U UNIVERSAL HEIGHT

DT DYNAMAX TORNADO FLUSH

EW EWATER+

CF CEFIONTECT

MODELS & COMPONENTS

- MW7463074CUMFG.10 (#01)
With CEFIONTECT ceramic glaze, WASHLET+ C2
 - CT746CUFGT40.10
Elongated bowl with CEFIONTECT
 - ST746UMA
Tank and cover only
 - SW3074T40
WASHLET+ C2

Optional Components

- THU773(#01, #PN, #BN)-A
Trip Lever - Cotton, Polished Nickel, Brushed Nickel

COLORS/FINISHES

- #01 Cotton

PRODUCT SPECIFICATION

The two-piece high-efficiency DYNAMAX TORNADO FLUSH toilet shall be dual flush 1.0 GPF/0.8 GPF. Toilet shall be 10" rough-in. Toilet shall have CEFIONTECT ceramic glaze and be at UNIVERSAL HEIGHT. Toilet shall have elongated front bowl and Polished Chrome trip lever. Toilet shall be TOTO Model MW7463074CUMFG.10.

See SW3074T40 Specification Sheet for details on included WASHLET.

CODES/STANDARDS

- Meets and exceeds ASME A112.19.2/CSA B45.1, ASME A112.19.14
- Certifications: IAPMO(cUPC®), EPA WaterSense, State of Massachusetts, and others
- Code Compliance: UPC, IPC, NSPC, NPC Canada, and others
- Legislative Compliance: California Green Building Code, City of Los Angeles Water Efficiency Ordinance, and others
- ADA compliant (when installed with trip lever located on the approach side)
- Complies with CA Prop 65 warning requirements



MW7463074CUMFG.10

Drake® 1G® WASHLET®+ C2 Two-Piece Toilet - 1.0 and 0.8 GPF - 10" Rough-in

SPECIFICATIONS

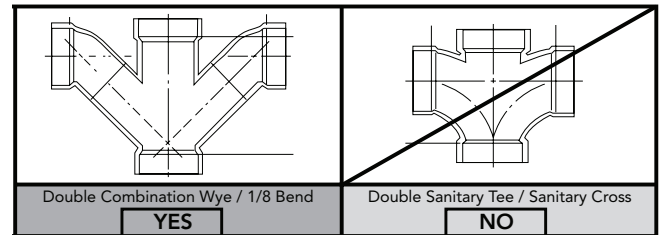
Water Use	1.0 & 0.8 GPF (3.8 & 3.0 LPF)
Flush System	DYNAMAX TORNADO FLUSH®
Min. Water Pressure	8 psi (Flowing)
Water Surface	5-5/8" x 4-1/8"
Trap Diameter	2-1/2"
Rough-in	10"
Trap Seal	2-1/8"
Warranty	One Year Limited Warranty
Material	Vitreous China
Shipping Weight	CT746CUFGT40.10 64 lbs. ST746UMA 35 lbs.
Shipping Dimensions	CT746CUFGT40.10 18-3/4" L x 10-1/2" W x 18-1/8" H ST746UMA 18-3/4" L x 8-3/8" W x 16" H

See SW3074T40 Specification Sheet for details on included WASHLET.

INSTALLATION NOTES

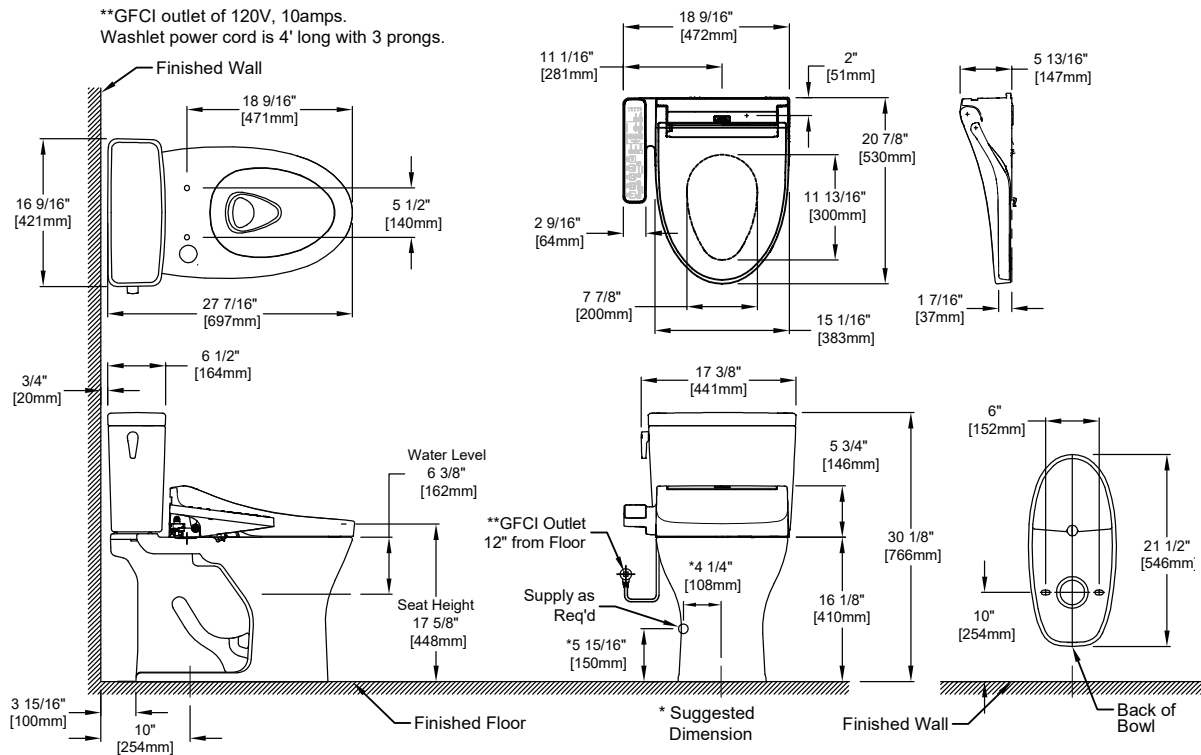
Back-to-Back Toilet Installations:

TOTO recommends the use of a nationally listed, double sanitary tee-wye only, in vertical waste stacks, in accordance with the stipulations noted in the majority of nationally recognized plumbing codes.



To maintain adequate wall gap between the back of the tank and wall, mount the floor flange at a nominal 10" rough-in distance.

DIMENSIONS



TOTO®

These dimensions and specifications are subject to change without notice