

## Drake® Transitional WASHLET®+ C2 Two-Piece Toilet - 1.28 and 0.8 GPF

### FEATURES

- Concealed supply connection for seamless installation
- DYNAMAX TORNADO FLUSH® utilizes 360° cleaning power to reach every part of the bowl
- High-efficiency dual flush 1.28 & 0.8 GPF (4.8 & 3.0 LPF)
- CEFIONTECT® ceramic glaze prevents debris and mold from sticking to ceramic surfaces
- Design of the bowl reduces water flow resistance resulting in a quieter flushing sound
- UNIVERSAL HEIGHT
- Chrome plated trip lever
- 12" Rough-in
- Elongated front bowl and WASHLET+ C2 and tank set
- EWATER®+ auto-cleans wand
- On-demand remote function cleans wand with EWATER+
- PREMIST® of bowl before each use
- Convenient arm control panel
- Semi-concealed trapway



### MODELS & COMPONENTS

- MW7483074CEMFG (#01)  
With CEFIONTECT ceramic glaze, WASHLET+ C2
  - CT746CUFGT40  
Elongated bowl with CEFIONTECT
  - ST748EMA  
Tank and cover only
  - SW3074T40  
WASHLET+ C2

### COLORS/FINISHES

- #01 Cotton

-  **DYNAMAX TORNADO FLUSH**
-  **UNIVERSAL HEIGHT**
-  **CEFIONTECT**
-  **WATER SAVING**

### PRODUCT SPECIFICATION

The two-piece high-efficiency DYNAMAX TORNADO FLUSH toilet shall be dual flush 1.28 GPF/0.8 GPF. Toilet shall be 12" rough-in. Toilet shall have CEFIONTECT ceramic glaze and be at UNIVERSAL HEIGHT. Toilet shall have elongated front bowl and chrome plated trip lever. Toilet shall be TOTO Model MW7483074CEMFG#01.

See SW3074T40 Specification Sheet for details on included WASHLET.

### CODES/STANDARDS

- Meets and exceeds ASME A112.19.2/CSA B45.1, ASME A112.19.14
- Certifications: IAPMO(cUPC®), EPA WaterSense, State of Massachusetts, and others
- Code Compliance: UPC, IPC, NSPC, NPC Canada, and others
- Complies with CA AB715, CA Green Building Code, Los Angeles Water Efficiency Ordinance and others
- ADA compliant (when installed with trip lever located on the approach side)
- Complies with CA Prop 65 warning requirements



# MW7483074CEMFG

## Drake® Transitional WASHLET®+ C2 Two-Piece Toilet - 1.28 and 0.8 GPF

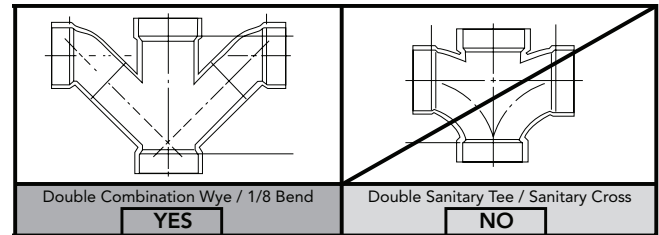
### SPECIFICATIONS

<b>Water Use</b>	1.28 & 0.8 GPF (4.8 & 3.0 LPF)
<b>Flush System</b>	DYNAMAX TORNADO FLUSH®
<b>Min. Water Pressure</b>	8 psi (Static)
<b>Water Surface</b>	5-5/8" x 4-1/8"
<b>Trap Diameter</b>	2-1/2"
<b>Rough-in</b>	12"
<b>Trap Seal</b>	2-1/8"
<b>Warranty</b>	One Year Limited Warranty
<b>Material</b>	Vitreous China
<b>Shipping Weight</b>	CT746CUFGT40 66 lbs.
	ST748EMA 33.1 lbs.
	SW3074T40 17 lbs.
<b>Shipping Dimensions</b>	CT746CUFGT40 28-1/4" L x 17-1/4" W1 x 10-3/4" W2 x 17-1/4" H
	ST748EMA 19-7/8" L x 9-3/8" W x 15-5/8" H
	SW3074T40 24-3/8" L x 20-3/4" W x 9-1/8" H

See SW3074T40 Specification Sheet for details on included WASHLET.

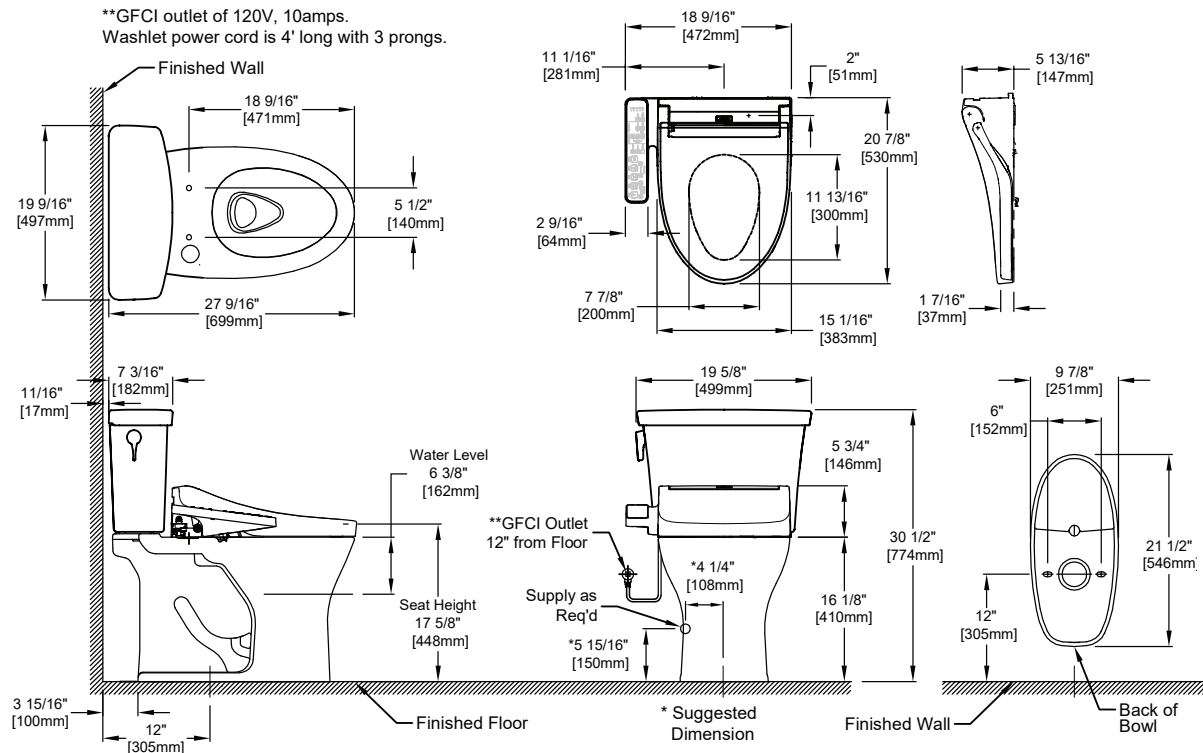
### INSTALLATION NOTES

Back-to-Back Toilet Installations:  
TOTO recommends the use of a nationally listed, double sanitary tee-wye only, in vertical waste stacks, in accordance with the stipulations noted in the majority of nationally recognized plumbing codes.



To maintain adequate wall gap between the back of the tank and wall, mount the floor flange at a nominal 12" rough-in distance.

### DIMENSIONS



**TOTO®**

Fixture Dimensions shown are nominal. These dimensions and specifications are subject to change without notice.