

### FEATURES

- Electronic bidet seat
- Gentle Aerated, Warm Water, Dual Action Spray with oscillating and pulsating feature
- Adjustable water temperature and volume settings
- Warm air drying with three variable temperature settings
- SoftClose® seat
- Convenient arm control panel with illuminated buttons
- Docking station for easy cleaning and installation
- Heated seat with temperature control
- TOTO's smooth seam seat design eliminates the gap under the seat which helps prevent dirt accumulation and makes cleaning easier



### MODELS

- SW3024

### COLORS/FINISHES

- #01 Cotton

### PRODUCT SPECIFICATION

Seat shall have gentle aerated, warm water, dual action spray with cycling movement and massage feature. Seat shall have adjustable water temperature and volume. Seat shall have warm air drying with three variable temperature settings. Seat shall include convenient arm control panel. Seat shall be solid plastic with closed front seat and cover. Seat shall include power cord, and water supply hoses. Seat shall be model SW3024#\_\_\_\_\_.

### CODES/STANDARDS

- Meets and exceeds ASME A112.4.2, ASME A112.18.1/CSA B125.1, UL 1431, CSA C22.2 #68
- Certifications: IAPMO(cUPC), State of Massachusetts, City of Los Angeles and others
- Code Compliance: UPC, IPC, NSPC, NPC Canada, and others
- Complies with CA Prop 65 warning requirements
- Backflow protection is integral to the device and meets backflow testing per ASSE 1001 and CSA B64.1.1



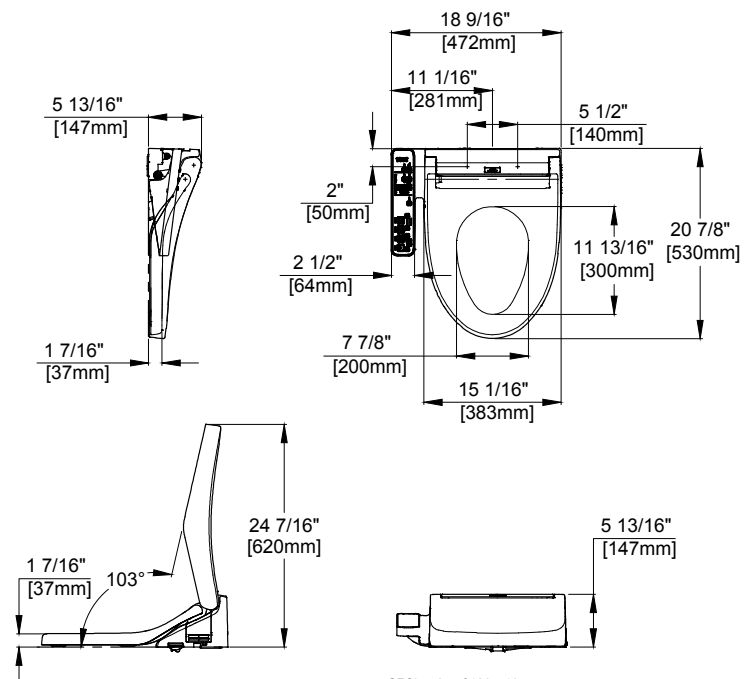
### SPECIFICATIONS

<b>Power Rating</b>	AC 120 V 60 Hz
<b>Power Consumption</b>	403W
<b>Max Power Consumption</b>	512W
<b>Power Cord Length</b>	3.93 ft (1.2 m)
<b>Spray Volume</b>	Rear Cleansing: 0.07 – 0.11 gal/min Front Cleansing: 0.08 – 0.11 gal/min
<b>Spray Features</b>	Adjustable Surface Temp: 95 – 104 °F (35 – 40 °C) Safety Device: Temperature Fuse
<b>Warm Air Dryer Features</b>	Adjustable Air Temp: 95 – 140 °F (35 – 60 °C) Airflow Volume: 8.83 ft3/min (0.25 m3/min) Safety Device: Temperature Fuse
<b>Heated Seat Features</b>	Adjustable Surface Temp: 82 – 97 °F (28 – 36 °C) Safety Device: Temperature Fuse
<b>Water Supply Pressure</b>	Minimum: 7.25 PSI (Dynamic) Maximum: 108.75 PSI (Static)
<b>Ambient Temp.</b>	32 – 104 °F (0 – 40 °C)
<b>Warranty</b>	One Year Limited Warranty
<b>Shipping Weight</b>	SW3024 16.0 lbs
<b>Shipping Dimensions</b>	SW3024 23-5/8" L x 20-3/4" W x 7-5/8" H

### INSTALLATION NOTES

- WASHLET KC2 may not fit certain toilet bowl designs
- If possible, with your order, please include your model number (from the underside of the tank lid).
- It is highly recommended to use a surge protector to prevent damage in the event of a power surge.
- Please check with local codes for electrical receptacle installation requirements.
- For use with potable water only. Do not use with recycled water.

### DIMENSIONS



GFCI outlet of 120v, 10amps.  
Washlet power cord is 4' long with 3 prongs.