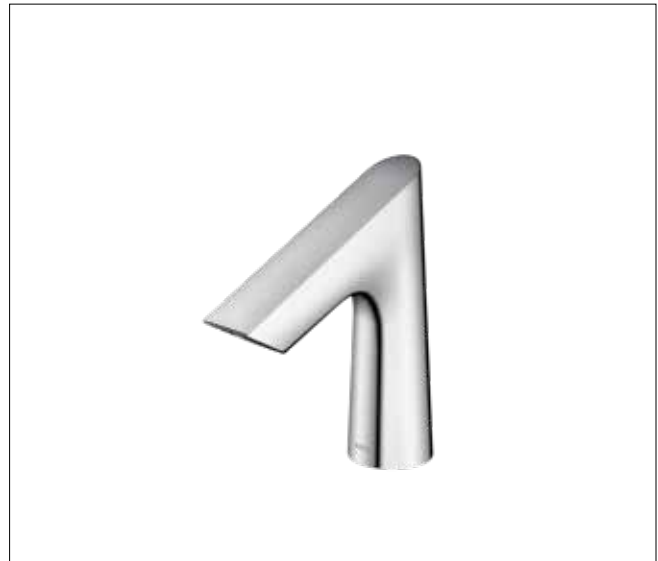


## Standard-S IoT-Enabled Touchless Faucet

### FEATURES

- Wireless Communication
- Connects seamlessly with Smart Monitoring System and through an API to facilities monitoring platforms
- Service agreement is required to enable IoT or Smart Features
- ECOPOWER® faucet's operation is independent of its IoT capability
- Some of the IoT-enabled Smart Features include: failure detection, usage, water consumption, and battery/capacitor charge
- Self-generating hydropowered ECOPOWER system
- Micro-sensor positioned underneath the spout head provides accurate hand detection and ensures smooth, consistent water distribution
- Vandal resistant nozzle
- Aerated flow
- Durable chrome plated spout body
- Kit includes spout body, controller box, and mounting hardware (supply lines not included)
- Equipped with 0.5 gpm flow control. 0.08 gpc, 10 sec on-demand flow



### MODELS

- T27S51Ei2#\$\$**
  - TLE27002U1#\$\$ (Standard-S Spout 10 sec on-demand)
  - TLE03502U1iA (Controller: ECOPOWER, 0.08 gpc, 10 sec on-demand)
  - THP3395 (IoT Communication Card)
- T27S51Ei4#\$\$**
  - TLE27002U1#\$\$ (Standard-S Spout 10 sec on-demand)
  - TLE03502U1iA (Controller: ECOPOWER, 0.08 gpc, 10 sec on-demand)
  - THP3566 (IoT Communication Card)

### COLORS/FINISHES

- #CP Polished Chrome

### OPTIONAL ACCESSORIES

- THP3158#CP - 4" Cover Plate
- THP3159#CP - 8" Cover Plate
- THP3237 - Swivel Coupling
- TLM10 - Mixing Valve
- TLE05701U - Thermostatic Mixing Valve

### PRODUCT SPECIFICATION

TOTO Model # \_\_\_\_\_ Self-generating hydropowered ECOPOWER system. The faucet shall have maximum of 10 seconds on-demand flow (0.08 gpc) The faucet shall have self-adjusting sensor. Product equipped with 0.5 gpm flow regulator

### CODES/STANDARDS

- Operates below federally mandated consumption limit of 0.25 gpc
- Complies to California Green Building Code, CALGreen max flow of 0.20 gpc
- Meets or exceeds ASME A112.18.1/CSA B125.1, and NSF 372
- Certifications: IAPMO(cUPC), California Energy Commission (CEC), State of Massachusetts, and others
- Complies with City of Los Angeles Water Efficiency Ordinance
- ADA compliant
- Complies with Federal and State statutes as low-lead (contains a weighted average of 0.25% lead or less)
- Complies with CA Prop 65 warning requirements FCC compliant to Part 15



# T27S51i Series

## Standard-S IoT-Enabled Touchless Faucet

### SPECIFICATIONS

Type	ECOPOWER
Power Supply	Hydropower Generation (self-powering power supply)
Sensor Detection Range	5-1/8" ~ 7-7/8" (130 ~ 200 mm) Sensor is self-adjusting
Water Supply Pressure	Min (Dynamic/Flowing) Pressure: 15 psi (100 kPa) Max (Static) Pressure: 80 psi (551 kPa)
Water Supply	G 1/2" (1/2" NPSM compatible)
Inlet Temperature Range	39-110°F (4-43°C)
Ambient Temperature	32-104°F (0-40°C)
Humidity	Max. 90% RH
Flow Rate	0.08 gpc (0.32 Lpc)** - max 10 second On Demand*** (0.08 gpc = 0.5 gpm x 10/60 sec) Equipped with 0.5 gpm flow control
Warranty	Three years

### NOTE

Following the federal mandate for water efficiency outlined in the Environmental Protection Act of 1992, faucets can be rated for water consumption based on two categories: Flow Rate and Water Consumption. TOTO uses the water consumption standard because it is the most accurate method of measuring water use. TOTO faucets also comply with the CALGreen Guideline of water usage.

#### Water Savings

TOTO On-Demand [10 sec.] faucet (0.08 gpc):  
68% savings over Federal Standard (0.25 gpc)  
60% savings over CAL Green (0.20 gpc)

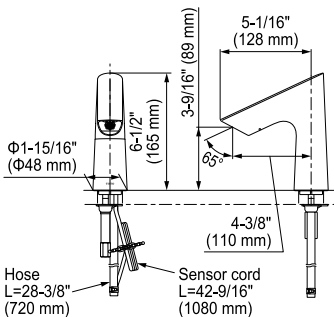
### INSTALLATION NOTE

A minimum of 13/16" (20mm) clearance on the left side of the controller is required for IoT communication card installation. Please refer to the diagram below.

\*\*Gallons per cycle (gpc) is the amount of water discharged per usage cycle.

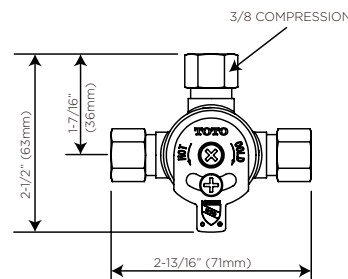
\*\*\* On-demand refers to the way in which the water is dispensed (i.e.; water is only dispensed when the sensor is activated by the user as needed).

### Standard-S Touchless Faucet

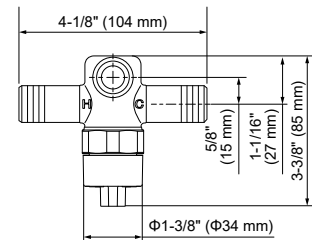


- Mounting deck thickness: 1/4" (5 mm) - 2" (50 mm)
- Spout hole:  $\Phi 1-1/4"$  ( $\Phi 32$  mm) -  $\Phi 1-3/8"$  ( $\Phi 35$  mm)

### Available Mixing Valves



Hot/Cold Mixing Tee (TLM10)

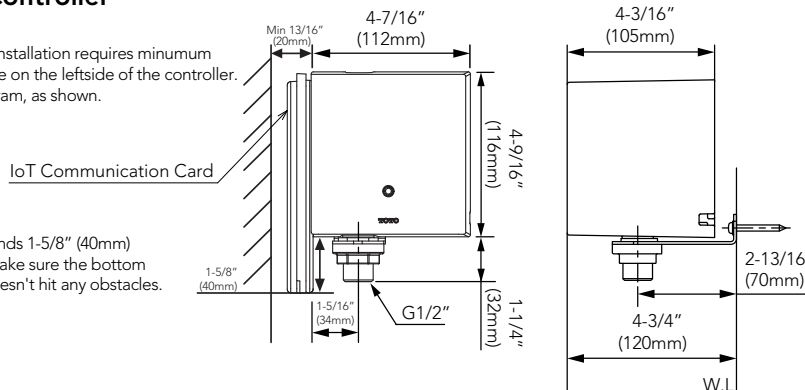


G1/2" (1/2" NPSM Compatible) threaded fittings

Thermostatic Mixing Valve (TLE05701U)

### ECOPOWER Controller

The IoT daughter card installation requires minimum 13/16" (20mm) clearance on the left side of the controller. Please refer to the diagram, as shown.



The daughter card extends 1-5/8" (40mm) below the controller. Make sure the bottom of the daughter card doesn't hit any obstacles.

**TOTO**

These dimensions and specifications are subject to change without notice