

## ECOPOWER® High-Efficiency Toilet Flush Valve for Reclaimed Water, 1.28 GPF

### FEATURES

- 1.28 GPF
- Designed with robust materials necessary for reclaimed water use
- Self-powered hydroelectric flush valve system
- No minimum daily usage requirement
- Durable chrome plated body with tamperproof screws and solid bronze valve body
- Self-cleaning piston valve with 360° filter screen
- Neutral rough-in and adjustable tail piece connection
- True mechanical flush override
- Smart sensor with self-adjusting detection range
- 6 second detection time to prevent ghost flushing
- For toilet with 1-1/2" top spud inlet
- Exposed flush valve with 1" angle stop and 1-1/2" vacuum breaker set
- Contributes to earning credits in LEED®
- Protects trap seal with a maintenance flush if not used in a 24 hr period

### MODELS

- TET1LBX32#CP**
  - TET1LBX#CP (1.28 GPF flush valve)
  - VB0932XB#CP (1-1/2" vacuum breaker tube, 1" angle stop)

### COLORS/FINISHES

- #CP Polished Chrome

### OPTIONAL ACCESSORIES

- Z-4000-J - Adapter for ground joint angle stops

### CODES/STANDARDS

- Meets or exceeds ASSE 1037/ASME A112.1037/CSA B125.37
- Certifications: IAPMO(cUPC), EPA WaterSense, State of Massachusetts, and others
- Code Compliance: UPC, IPC, NSPC, NPC Canada, and others
- ADA compliant
- Complies with CA Prop 65 warning requirements
- Complies with CA Title 20 regulations and CalGreen when paired with a water closet which has an equivalent water consumption.



**CALGreen**



 **ECOPOWER**

 **Auto Flush**



Piston Valve

### PRODUCT SPECIFICATION

TOTO® Model No. \_\_\_\_\_ Product shall be 1.28 GPF. Product shall be an automatic infrared sensor-activated, toilet flush valve. Product shall use hydropower, ECOPOWER flush valve system. Product shall have durable chrome plated body with tamper-proof screws and solid bronze valve body. Product shall have smart sensor with self-adjusting detection range. Product shall have neutral rough-in and adjustable tail piece connection. Product shall have true mechanical flush override. Product shall have 6 second detection time to prevent ghost flushing. Product shall have piston with debris screen and solenoid with self-cleaning mechanism.

# TET1LBX

## ECOPOWER® High-Efficiency Toilet Flush Valve for Reclaimed Water, 1.28 GPF

### SPECIFICATIONS

<b>Material</b>	Bronze casting
<b>Power supply</b>	ECOPOWER
<b>Sensor detection time</b>	Factory setting at six (6) seconds minimum
<b>Sensor detection range</b>	Self-adjusting to environment
<b>Discharge quantity</b>	Preset to 1.28 GPF / 4.8 LPF
<b>Operating temperature</b>	32-104°F (0-40°C)
<b>Water source</b>	See Reclaimed Water Chart
<b>Water supply pressure</b>	Min: 25 psi (flowing) Max: 125 psi (static)
<b>Water supply connection</b>	1" NPT
<b>Warranty</b>	Three year limited

\*Water pressures over 80 psi are not recommended for most plumbing fixtures. Check your local plumbing code for details.

### INSTALLATION NOTES

RECLAIMED WATER QUALITY PARAMETERS	
<b>Chloride Ion Concentration</b>	< 600mg/L
<b>pH</b>	5.8-8.6
<b>Free Carbonate</b>	< 50mg/L
<b>Langelier's Index</b>	> -3.00
<b>Nitrate Ion Concentration</b>	< 60mg/L
<b>Conductivity</b>	< 250mS/m
<b>Sulfate Ion Concentration</b>	< 100mg/L
<b>Residual Chloride Concentration</b>	< 2mg/L
<b>Hydrogen Sulfide Gas</b>	None Existence
<b>Suspended Solids</b>	< 5mg/L

TOTO Reclaimed Water flush valves are designed to perform best when used with TOTO Reclaimed Water urinals/toilets and components. Although TOTO Reclaimed Water products may be used in combination with other reclaimed water product brands, optimal performance might be impaired and attempted use with any non-compliant reclaimed water product(s) could result in corrosion, leakage or void the warranty.

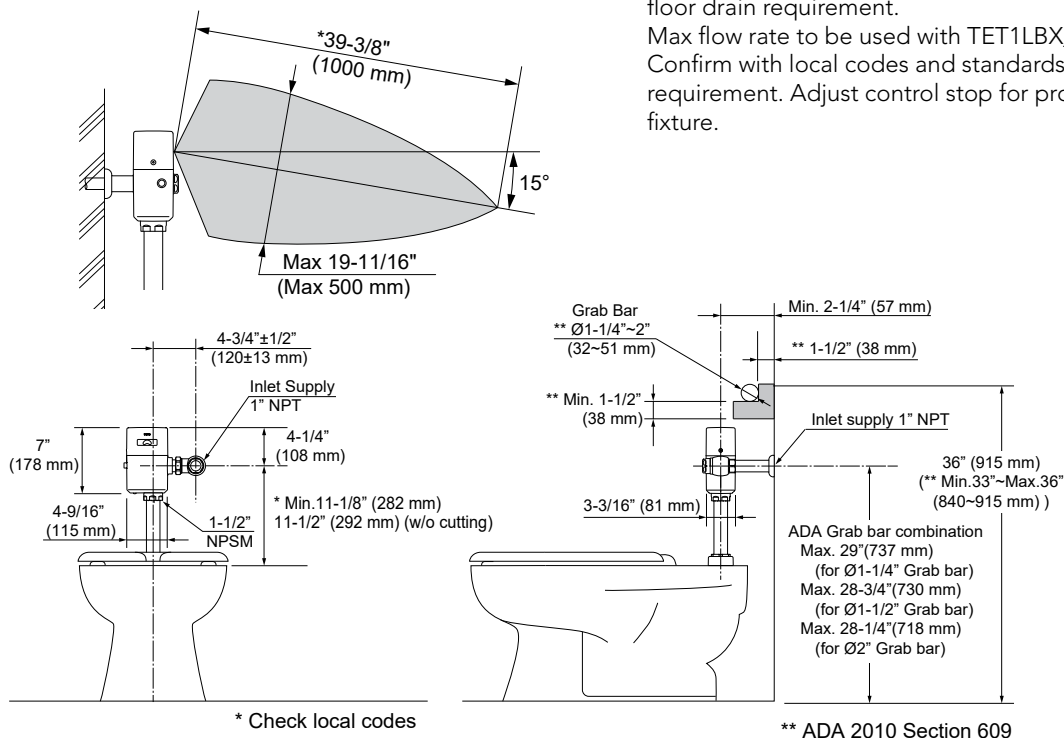
For commercial applications only. Product designed for reclaimed water use (with parameters specified above).

Warning: Adjust control stop for proper flow rate to the fixture. Failure to properly adjust angle stop to the appropriate level can potentially cause property damage.

For detailed installation instructions, please refer to the installation manual. Confirm with local codes and standards for floor drain requirement.

Max flow rate to be used with TET1LBX: 1.28 GPF. Confirm with local codes and standards for floor drain requirement. Adjust control stop for proper flow rate to the fixture.

### DIMENSIONS



**TOTO®**

These dimensions and specifications are subject to change without notice