

Guinevere® WASHLET®+ S7A One-Piece Toilet - 1.28 GPF

FEATURES

- Concealed supply connection for seamless installation
- High-efficiency TORNADO FLUSH® system - 1.28 GPF (4.8 LPF)
- CEFIONTECT® ceramic glaze minimizes waste from sticking to porous ceramic surfaces
- Decorative one-piece with skirted design
- Universal Height
- Chrome plated trip lever
- 12" Rough-in
- Elongated front bowl and WASHLET+ S7A classic lid and tank set
- EWATER+® auto-cleans wand and bowl after every use
- PREMIST® automatically mists the bowl before each use
- Multifunction pearl white block-style remote control
- Auto open/close lid
- Night light
- Auto flush available as upgrade

MODELS

- **MW9744734CEFGA (#01)**
With CEFIONTECT ceramic glaze, WASHLET+ S7A with classic design and Auto Flush
 - **CST974CEFGAT40**
Elongated bowl with CEFIONTECT
 - **SW4734AT40**
WASHLET+ S7A
 - **THU857**
Auto Flush Kit
- **MW9744734CEFG (#01)**
Same as MW9744734CEFGA without Auto Flush




COLORS/FINISHES

- #01 Cotton

OPTIONAL COMPONENTS

- **TSU03W.10R**
10" Unifit Rough-In
- **TSU03W.14R**
14" Unifit Rough-In
- **THU458(#01, #BN, #PN, #MBL)**
Trip Lever - Cotton, Brushed Nickel, Polished Nickel, Matte Black



-  **TORNADO FLUSH**
-  **EWATER+**
-  **CEFIONTECT**
-  **Auto Flush**
-  **UNIVERSAL HEIGHT**

PRODUCT SPECIFICATION

The one-piece high-efficiency TORNADO FLUSH system toilet shall be 1.28 GPF (4.8 LPF). Toilet shall be 12" Unifit rough-in. Toilet shall have optional CEFIONTECT ceramic glaze and be at Universal Height. Toilet shall have elongated front bowl with SoftClose seat and Polished Chrome trip lever. Toilet shall be TOTO Model MW9744734CEFG(A)#01.

See SW4734AT40 Specification Sheet for details on included WASHLET.

CODES/STANDARDS

- Meets and exceeds ASME A112.19.2/CSA B45.1
- Certifications: IAPMO (cUPC®), EPA WaterSense®, State of Massachusetts, City of Los Angeles, and others
- Code compliance: UPC, IPC, NSPC, NPC Canada, and others
- Legislative Compliance: California AB715, California Green Building Code, City of Los Angeles Water Efficiency Ordinance, and others
- ADA compliant for residential use with autoflush feature model, or with trip lever located on the approach side
- Complies with CA Prop 65 warning requirements



MW9744734CEFG(A)

Guinevere® WASHLET®+ S7A
One-Piece Toilet - 1.28 GPF

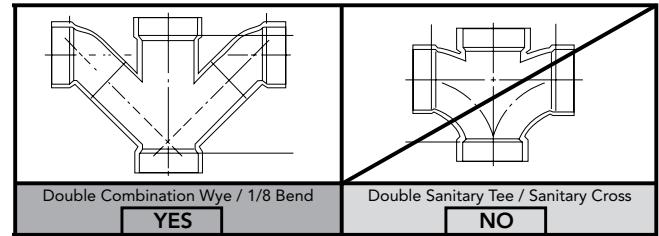
SPECIFICATIONS

Water Use	1.28 GPF (4.8 LPF)
Flush System	TORNADO FLUSH®
Water Surface	7-7/8" x 9-7/8"
Trap Diameter	2-1/8"
Rough-in	12" (10" and 14" options available)
Trap Seal	2-3/16"
Warranty	One Year Limited Warranty
Material	Vitreous China
Shipping Weight	MW9744734CEFG(A): 120 lbs SW4734AT40: 15 lbs
Shipping Dimensions	MW9744734CEFG(A) 30" L x 19" W x 29-5/8" H ¹ x 18-1/2" H ² SW4734AT40 23-3/8" L x 17-5/8" W x 6-1/4" H

See SW4734AT40 Specification Sheet for details on included WASHLET.

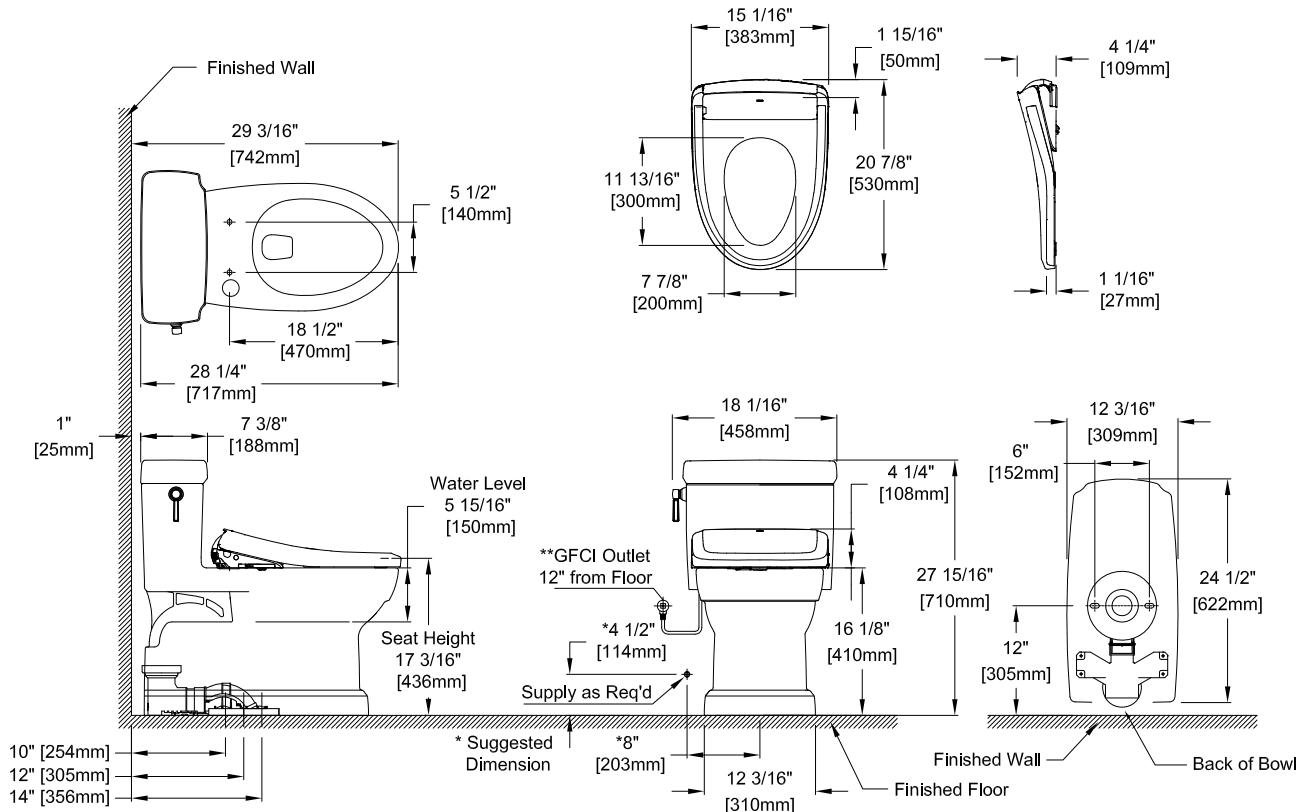
INSTALLATION NOTES

Back-to-Back Toilet Installations:
TOTO recommends the use of a nationally listed, double sanitary tee-wye only, in vertical waste stacks, in accordance with the stipulations noted in the majority of nationally recognized plumbing codes.



To maintain adequate wall gap between the back of the tank and wall, mount the floor flange at a nominal 12" rough-in distance.

DIMENSIONS



TOTO®

These dimensions and specifications are subject to change without notice