

EP WASHLET®+ S7 Wall-Hung Toilet - 1.28 GPF / 0.9 GPF

FEATURES

EP Bowl

- Ultra high-efficiency DYNAMAX TORNADO FLUSH® system -1.28 GPF / 0.9 GPF (4.8 LPF / 3.4 LPF)
- CEFIONTECT® ceramic glaze minimizes waste from sticking to porous ceramic surfaces
- Universal Height
- Elongated shape front bowl

S7 WASHLET

- Elongated front WASHLET toilet with seat cover
- See spec sheet SW4726AT40 for WASHLET features

DuoFit In-Wall Tank

- Ultra high-efficiency dual flushing system - 1.28 GPF / 0.9 GPF (4.8 LPF / 3.4 LPF) Avg. flush 1.03 GPF
- Adjustable 15" -19" mounting height
- Saves up to 9" of floor space compared to standard floor-mounted toilet
- Supports up to 880lbs
- Commercial 2" x 6" or optional residential installation with 2" x 4" wall studs with waste outlet kit
- Copper supply line

Push Plate

- YT930#MS
Matte Silver Basic Round Push Plate

MODELS

- **CWT4284726CMFG#MS**
EP WASHLET+ with S7
 - **CT428CFGT40#01**
EP Wall-Hung Toilet
 - **WT173M**
In-Wall Tank System (Copper Pipe)
 - **SW4726AT40#01**
S7 WASHLET
Elongated WASHLET
 - **THU805**
WASHLET connection kit
 - **YT930#MS**
Matte Silver Basic Round Push Plate

Available Options

- YT920#WH - White Matte Basic Square Push Plate
- YT920#MS - Matte Silver Basic Square Push Plate
- YT930#WH - White Matte Basic Round Push Plate
- YT970#SS - Stainless Steel Wall Round Push Plate
- YT980#SS - Stainless Steel Wall Round Push Plate



- DYNAMAX TORNADO FLUSH**
- EWATER+**
- CEFIONTECT**
- Skirted Design**
- UNIVERSAL HEIGHT**

COLORS/FINISHES

- #01 Cotton

CODES/STANDARDS

- Meets and exceeds:
 - Bowl: ASME A112.19.2/CSA B45.1, ASME A112.19.14
 - Carrier System: ASME A112.6.2
 - Tank Trim: IAPMO PS50, CSA B125.3, ASSE1002
- Certifications: IAPMO (cUPC®), EPA WaterSense®, State of Massachusetts, City of Los Angeles, and others
- Code Compliance: UPC, IPC, NSPC, NPC Canada, and others
- Legislative Compliance: California AB715, California Green Building Code, City of Los Angeles Water Efficiency Ordinance, and others
- Complies with CA Prop 65 warning requirements



CWT4284726CMFG#MS

EP WASHLET®+ S7 Wall-Hung Toilet - 1.28 GPF / 0.9 GPF

SPECIFICATIONS

| | CT428CFGT40 | S7 | WT173M |
|---------------------|-----------------------------------|----------------------------------|---|
| Water Use | 1.28 / 0.9 GPF (4.8 / 3.4 LPF) | | 1.28 GPF / 0.9 GPF (4.8 LPF / 3.4 LPF) |
| Flush System | DYNAMAX TORNADO FLUSH® | | Dual flushing |
| Min. Water Pressure | 8 psi (static) | | 8 psi (static) |
| Max. Water Pressure | 108.75 psi (static) | | 108.75 psi (static) |
| Water Surface | 5-1/2" X 4-1/8" | | |
| Trap Diameter | 2-1/8" | | |
| Installation Height | 15" to 19" | | 15" to 19" |
| Trap Seal | 2-1/8" | | |
| Warranty | One Year Limited Warranty | One Year Limited Warranty | One Year Limited Warranty |
| Material | Vitreous China | | Various |
| Shipping Weight | 68 lbs | 15 lbs | 44 lbs |
| Shipping Dimensions | 22" L x 14.6" W x 16.5 H | 23-3/8" L x 17-5/8" W x 6-1/4" H | 47" L x 26-1/2" W x 5-3/4" H |

See SW4726AT40 Specification Sheet for details on included WASHLET.

CT428CFGT40

This universal height, ultra high-efficiency DYNAMAX TORNADO flushing system toilet shall be 1.28 GPF / 0.9 GPF (4.8 LPF / 3.4 LPF). Toilet shall have CEFIONTECT® ceramic glaze. Toilet shall be mounted to in-wall tank system, elongated front bowl and wall-mounted push-button type trip lever. Toilet shall be TOTO Model CT428CFGT40#01.

S7

Contemporary elongated WASHLET

YT930#MS

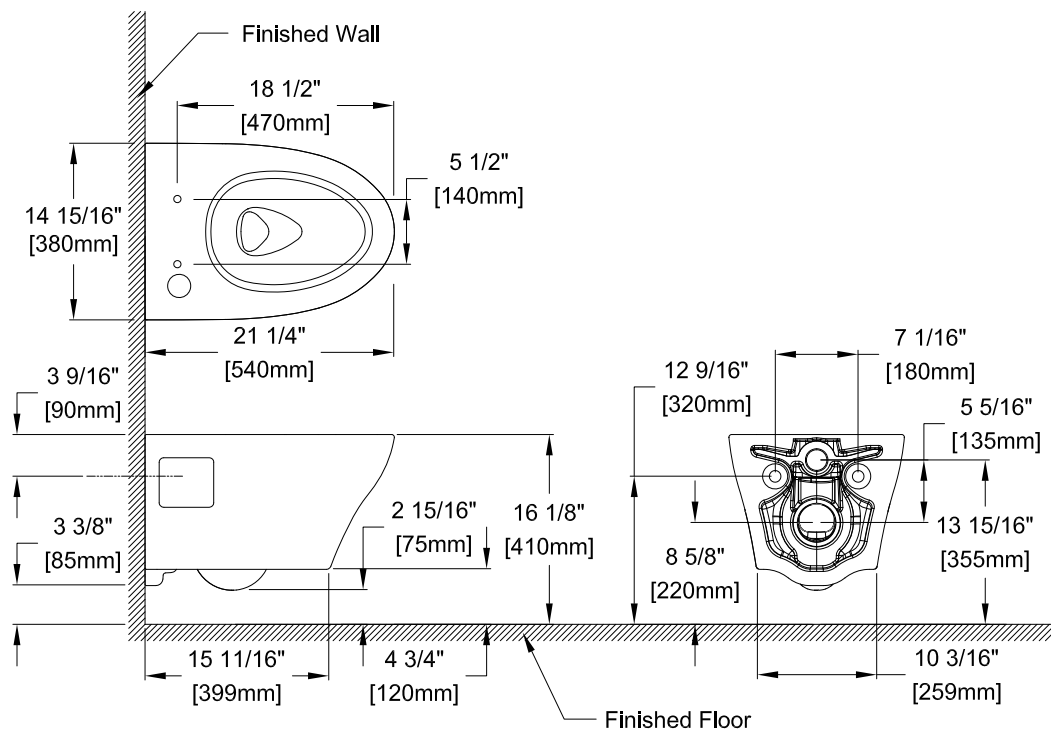
Dual Button Push Plate
#MS Matte Silver

WT173M

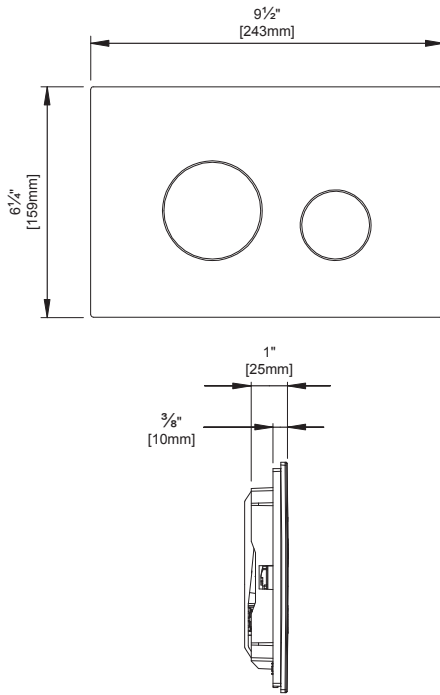
This universal height, high-efficiency, dual flushing, in-wall tank system toilet shall be 1.28 GPF / 0.9 GPF (4.8 LPF / 3.4 LPF). Requires TOTO toilet model CT428CFGT40. In-Wall tank system shall be TOTO Model WT173M.

DIMENSIONS

CT428CFGT40



YT930

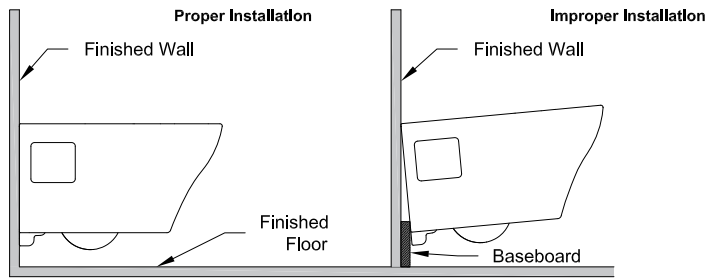


INSTALLATION NOTES

- WT173M
Adequate structural bracing is required. Framing support should be capable of supporting 880 lbs load without damage to the wall. See installation manual for more details.

Recommend to use plywood with a minimum thickness of 1/2" for the wall panel.

WT173M



DIMENSIONS

WT173M

